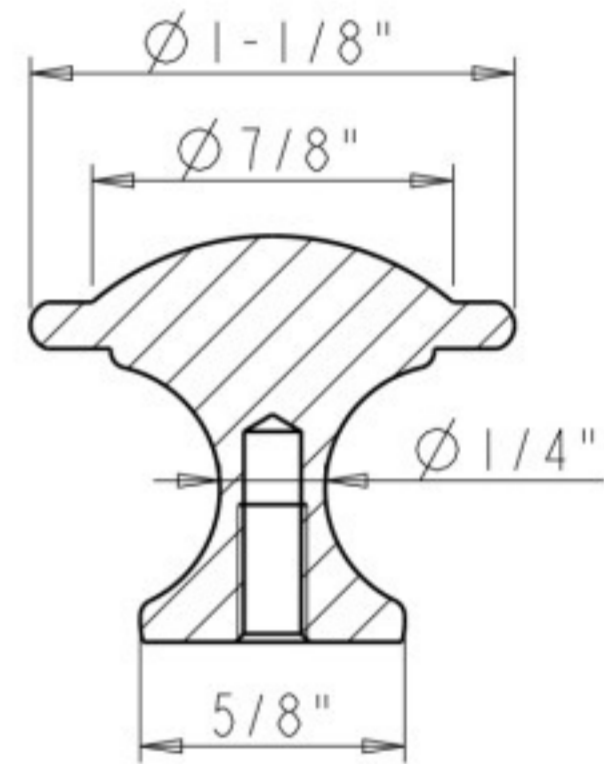
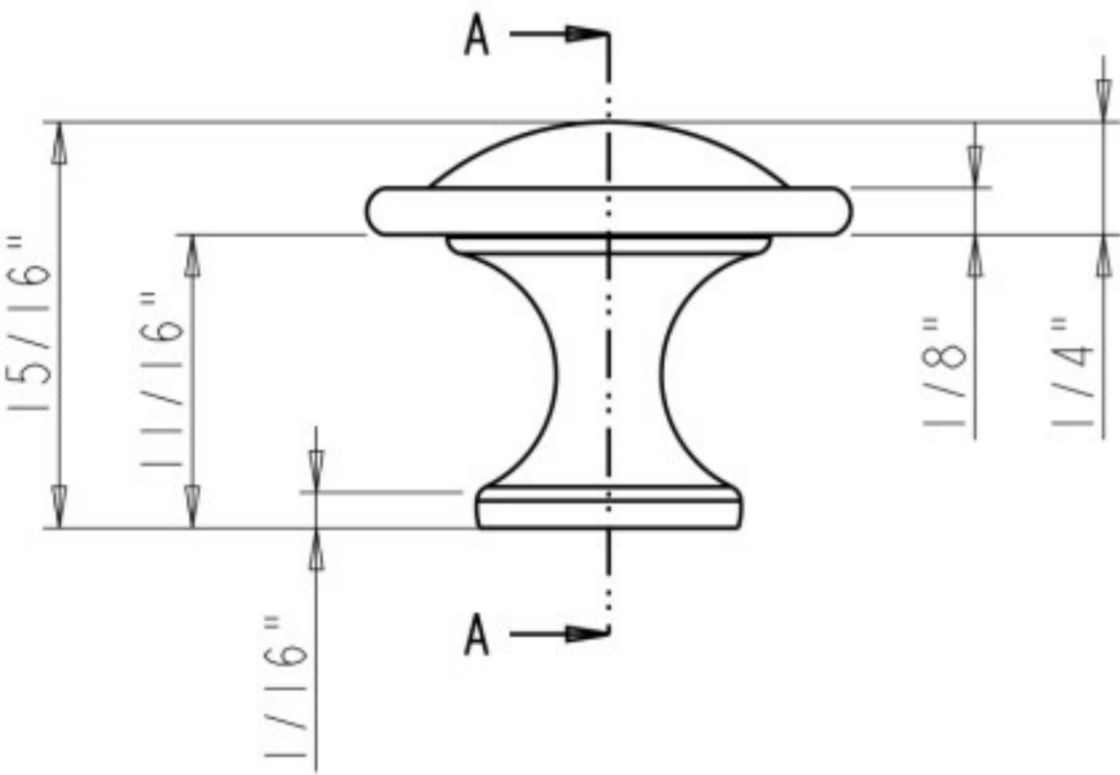
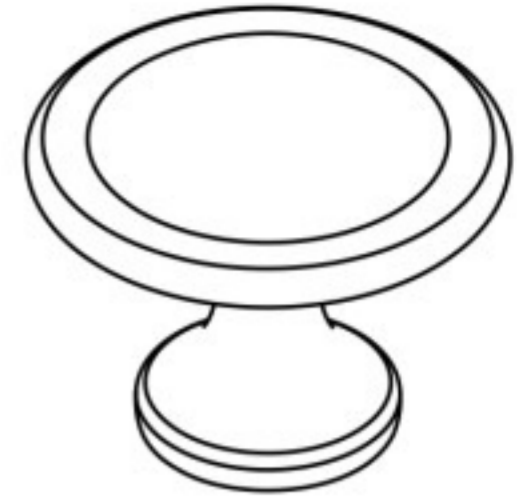
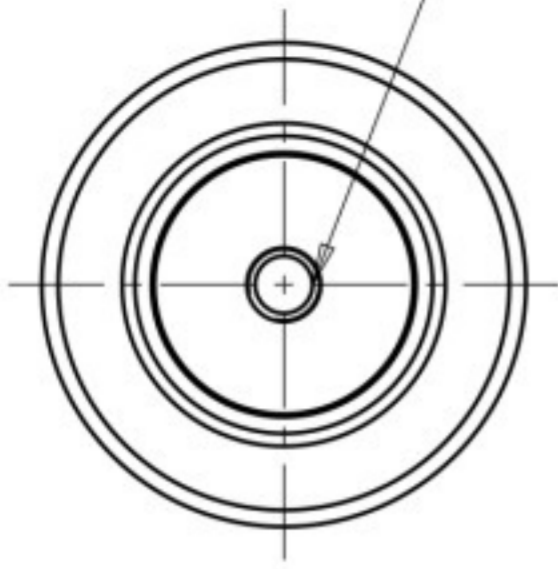


8-32 UNC -  $\nabla$  1/2"



SECTION A-A

