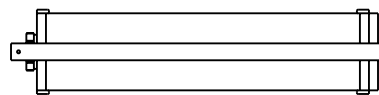
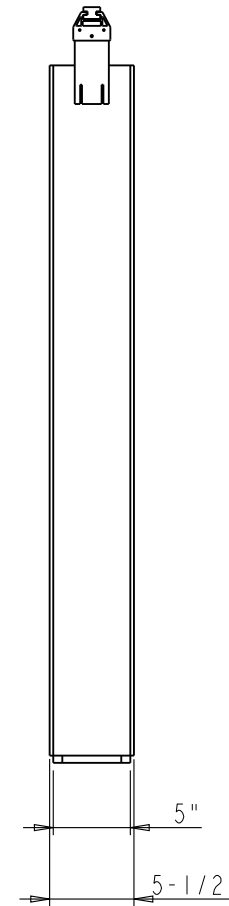
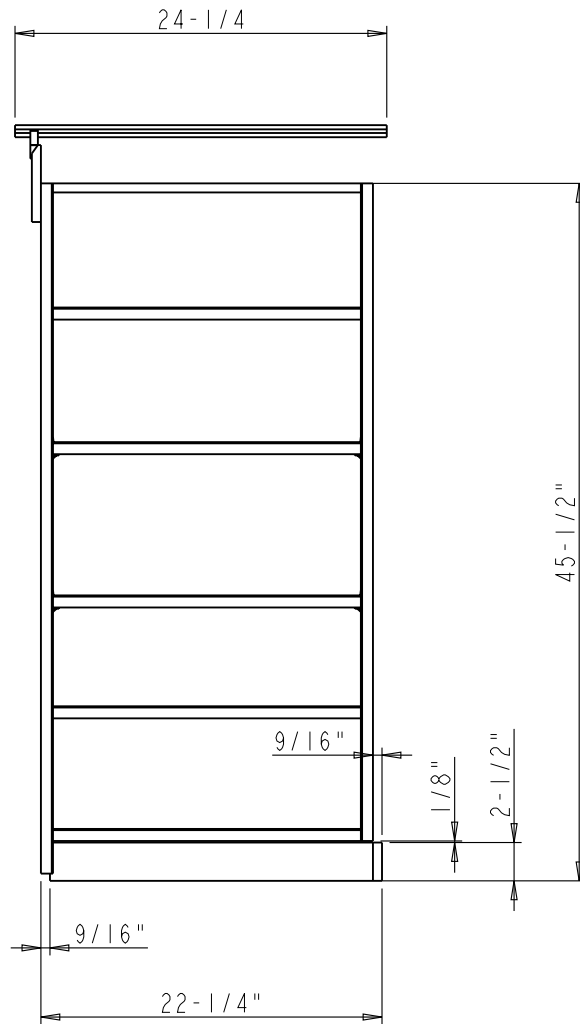


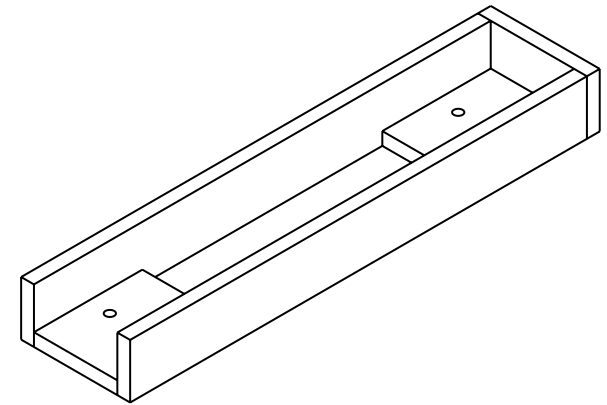
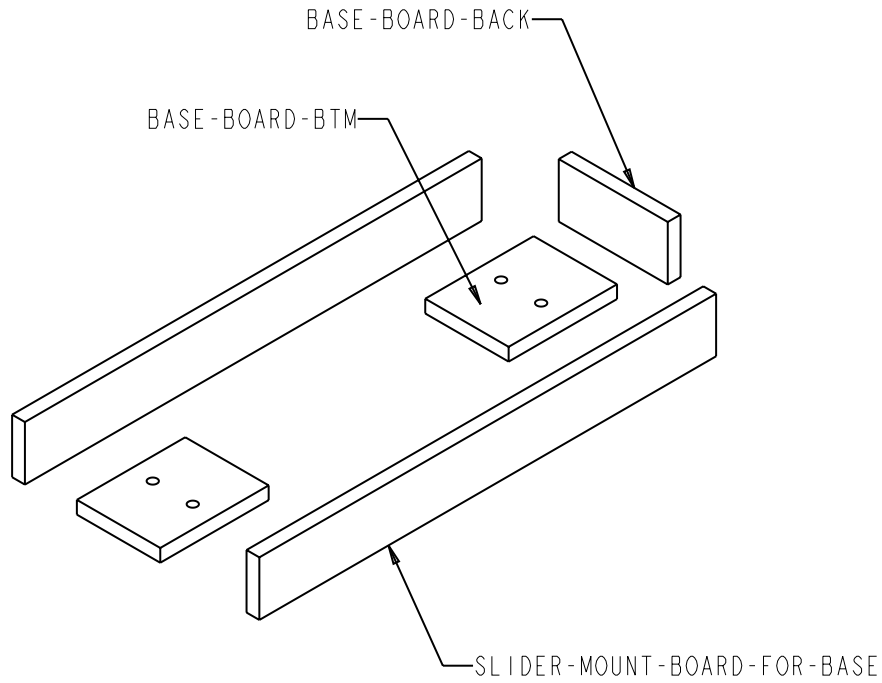
Bills of Material:

NO.	ITEM#	MATERIAL	QTY	UNIT	TOTL WEIGHT	TYPE	ASSY LEVEL
6	RAIL-ASSY	ASSEMBLY	1			ASSEMBLY	1
5	ADJUST-SHELF-5	Assembly	2			ASSEMBLY	1
4	7704	SAN	8			PART	1
3	PULLOUT-ASSY-545	Assembly	1			ASSEMBLY	1
2	303FU-20	Assembly	2			PART	1
1	BASE-ASSY-05	Assembly	1			ASSEMBLY	1

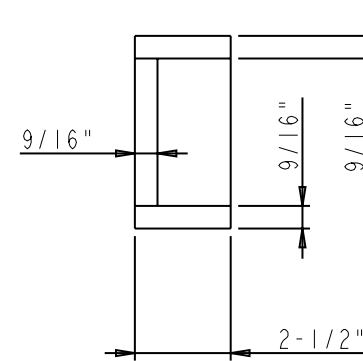
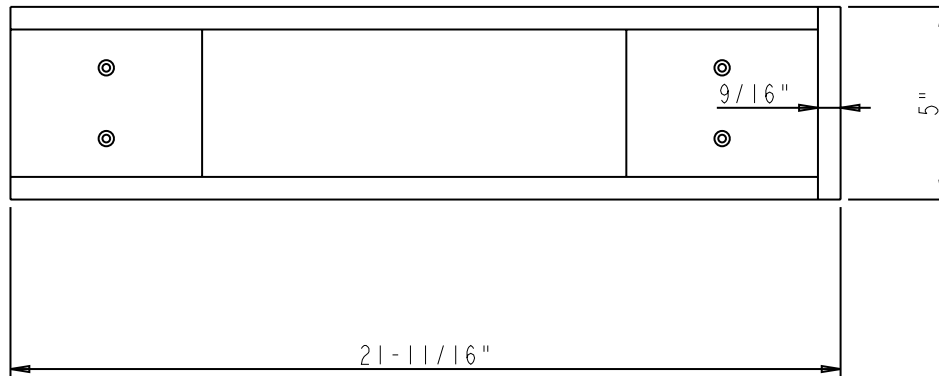
hardware resources	ITEM#	PPO Family		MATERIAL:
	FINISH			WEIGHT:
PROPRIETARY AND CONFIDENTIAL THE INFORMATION CONTAINED IN THIS DRAWING IS THE SOLE PROPERTY OF HARDWARE RESOURCES INC. ANY REPRODUCTION IN PART OR AS A WHOLE WITHOUT THE WRITTEN PERMISSION OF HARDWARE RESOURCES INC. IS PROHIBITED.	TOLERANCE UNLESS OTHERWISE SPECIFIED:	UNIT:	DRAWN BY:	DATE:
	X: MM ±0.20		<i>alan. lu</i>	
	X.X: MM ±0.10	SIZE:	CHECKED BY:	DATE:
	X.XX: MM ±0.05		APPROVED BY:	DATE:
ANGULAR: ±0.5°	DO NOT SCALE DRAWING			


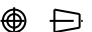


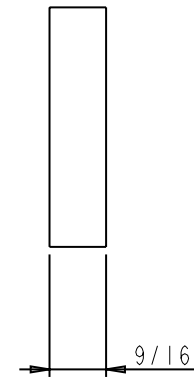
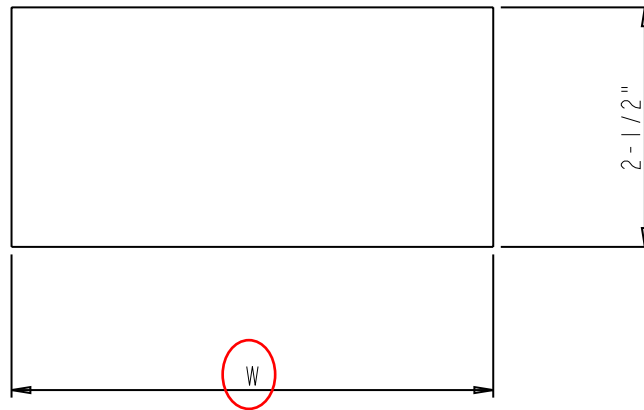
	ITEM#	PP0545		MATERIAL	
	FINISH			WEIGHT	
PROPRIETARY AND CONFIDENTIAL THE INFORMATION CONTAINED IN THIS DRAWING IS THE SOLE PROPERTY OF HARDWARE RESOURCES INC. ANY REPRODUCTION IN PART OR AS A WHOLE WITHOUT THE WRITTEN PERMISSION OF HARDWARE RESOURCES INC. IS PROHIBITED.	UNIT:		DRAWN BY:	DATE:	
	TOLERANCE UNLESS OTHERWISE SPECIFIED: X: MM ±0.20 X.X: MM ±0.10 X.XX: MM ±0.05 ANGULAR: ±0.5° DO NOT SCALE DRAWING		SIZE:	CHECKED BY:	DATE:
			APPROVED BY:	DATE:	
		PROJECTION:		9	



	ITEM#: BASE-ASSY		MATERIAL:		
	FINISH:		WEIGHT: 9		
PROPRIETARY AND CONFIDENTIAL THE INFORMATION CONTAINED IN THIS DRAWING IS THE SOLE PROPERTY OF HARDWARE RESOURCES INC. ANY REPRODUCTION IN PART OR AS A WHOLE WITHOUT THE WRITTEN PERMISSION OF HARDWARE RESOURCES INC. IS PROHIBITED.	TOLERANCE UNLESS OTHERWISE SPECIFIED: X: MM ±0.20 X.X: MM ±0.10 X.XX: MM ±0.05 ANGULAR: ±0.5° DO NOT SCALE DRAWING		UNIT: SIZE:	DRAWN BY: <i>alan.liu</i>	DATE:
				CHECKED BY:	DATE:
				APPROVED BY:	DATE:



	ITEM#: BASE-ASSY-05		MATERIAL:		
	FINISH:		WEIGHT: 9		
PROPRIETARY AND CONFIDENTIAL THE INFORMATION CONTAINED IN THIS DRAWING IS THE SOLE PROPERTY OF HARDWARE RESOURCES INC. ANY REPRODUCTION IN PART OR AS A WHOLE WITHOUT THE WRITTEN PERMISSION OF HARDWARE RESOURCES INC. IS PROHIBITED.	TOLERANCE UNLESS OTHERWISE SPECIFIED: X: MM ±0.20 X.X: MM ±0.10 X.XX: MM ±0.05 ANGULAR: ±0.5° DO NOT SCALE DRAWING		UNIT: SIZE:	DRAWN BY: <i>alan. liu</i>	DATE:
			CHECKED BY:	DATE:	
			APPROVED BY:	DATE:	
			PROJECTION: 		



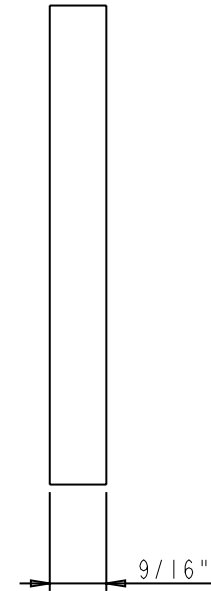
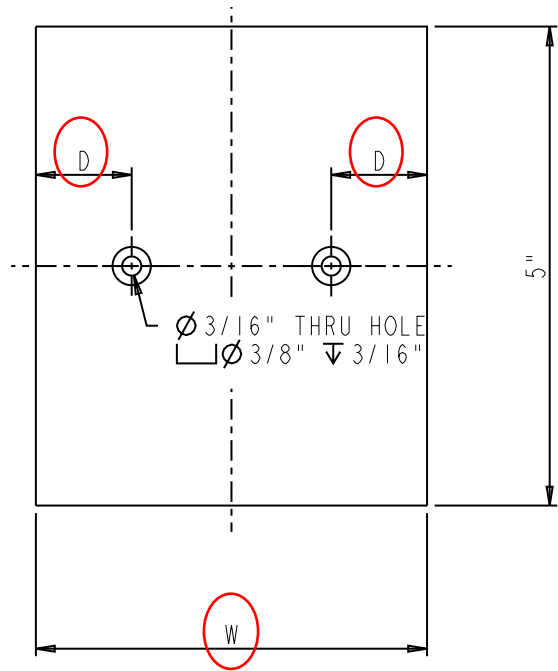
BASE-BOARD-BACK SPEC SHEET:

Part Name	W
BASE-BOARD-BACK-5"	5"
BASE-BOARD-BACK-8"	8"
BASE-BOARD-BACK-11"	11"
BASE-BOARD-BACK-14"	14"

NOTE:

The dimension W of current BASE-BOARD-BACK is showing with red frame

hardware resources	ITEM#: BASE-BOARD-BACK		MATERIAL: PLY Wood	
	FINISH:		WEIGHT: 9	
PROPRIETARY AND CONFIDENTIAL THE INFORMATION CONTAINED IN THIS DRAWING IS THE SOLE PROPERTY OF HARDWARE RESOURCES INC. ANY REPRODUCTION IN PART OR AS A WHOLE WITHOUT THE WRITTEN PERMISSION OF HARDWARE RESOURCES INC. IS PROHIBITED.	TOLERANCE UNLESS OTHERWISE SPECIFIED: X. MM ±0.20 X.X MM ±0.10 X.XX MM ±0.05 ANGULAR: ±0.5° DO NOT SCALE DRAWING		PROJECTION:	
	UNIT:	DRAWN BY: alan. liu	DATE:	
	SIZE:	CHECKED BY:	DATE:	
		APPROVED BY:	DATE:	



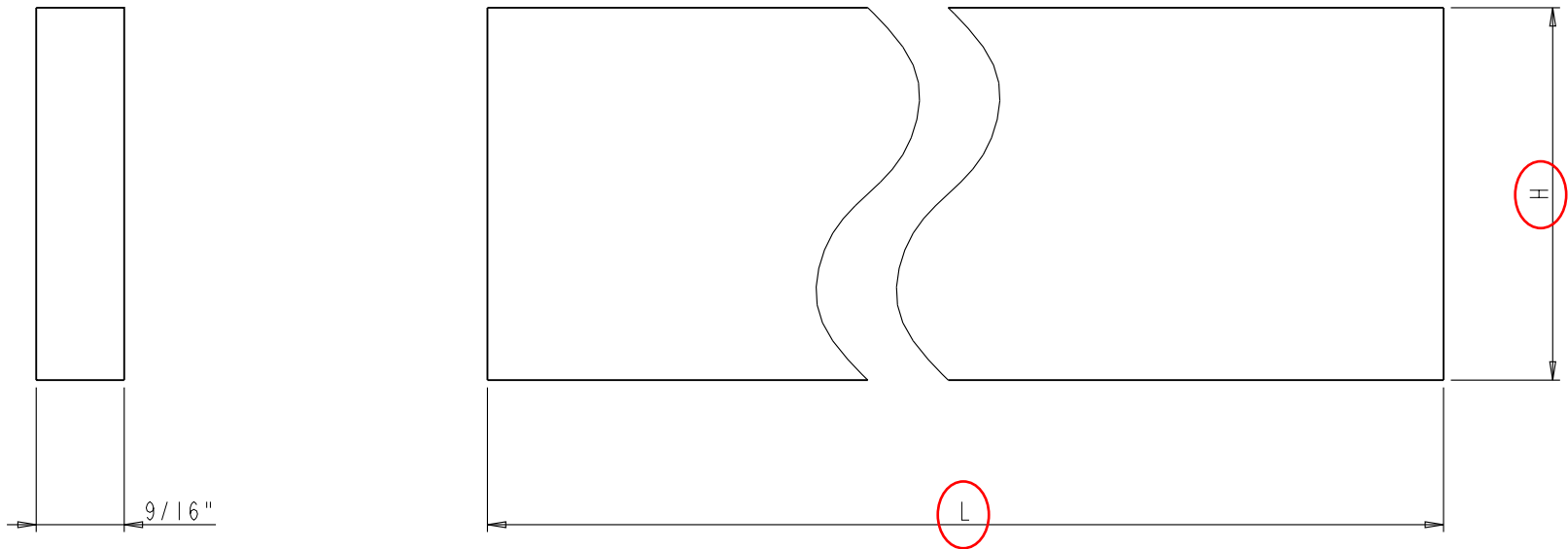
BASE-BOARD-BTM SPEC SHEET:

Part Name	D	W
BASE-BOARD-BTM-5"	1"	3-7/8"
BASE-BOARD-BTM-8"	1-1/2"	6-7/8"
BASE-BOARD-BTM-11"	2"	9-7/8"
BASE-BOARD-BTM-14"	2-1/2"	12-7/8"

NOTE:

The dimension D & W of current BASE-BOARD-BTM is showing with red frame

	ITEM:	BASE-BOARD-BTM		MATERIAL:	PLY Wood
	FINISH:			WEIGHT:	9
PROPRIETARY AND CONFIDENTIAL THE INFORMATION CONTAINED IN THIS DRAWING IS THE SOLE PROPERTY OF HARDWARE RESOURCES INC. ANY REPRODUCTION IN PART OR AS A WHOLE WITHOUT THE WRITTEN PERMISSION OF HARDWARE RESOURCES INC. IS PROHIBITED.	TOLERANCE UNLESS OTHERWISE SPECIFIED:	UNIT:	DRAWN BY:	DATE:	
	X : MM ±0.20	SIZE:	alan. liu	CHECKED BY:	DATE:
	X.X : MM ±0.10		APPROVED BY:		DATE:
	X.XX : MM ±0.05				
ANGULAR: ±0.5°	DO NOT SCALE DRAWING				



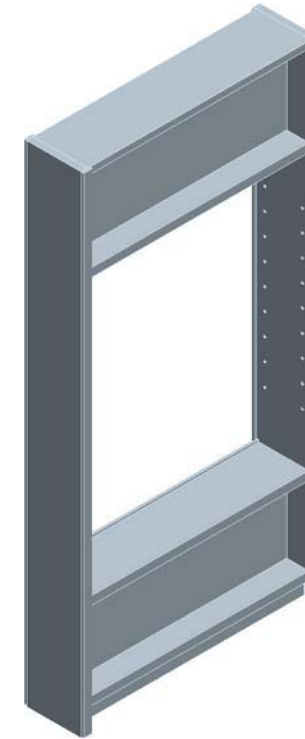
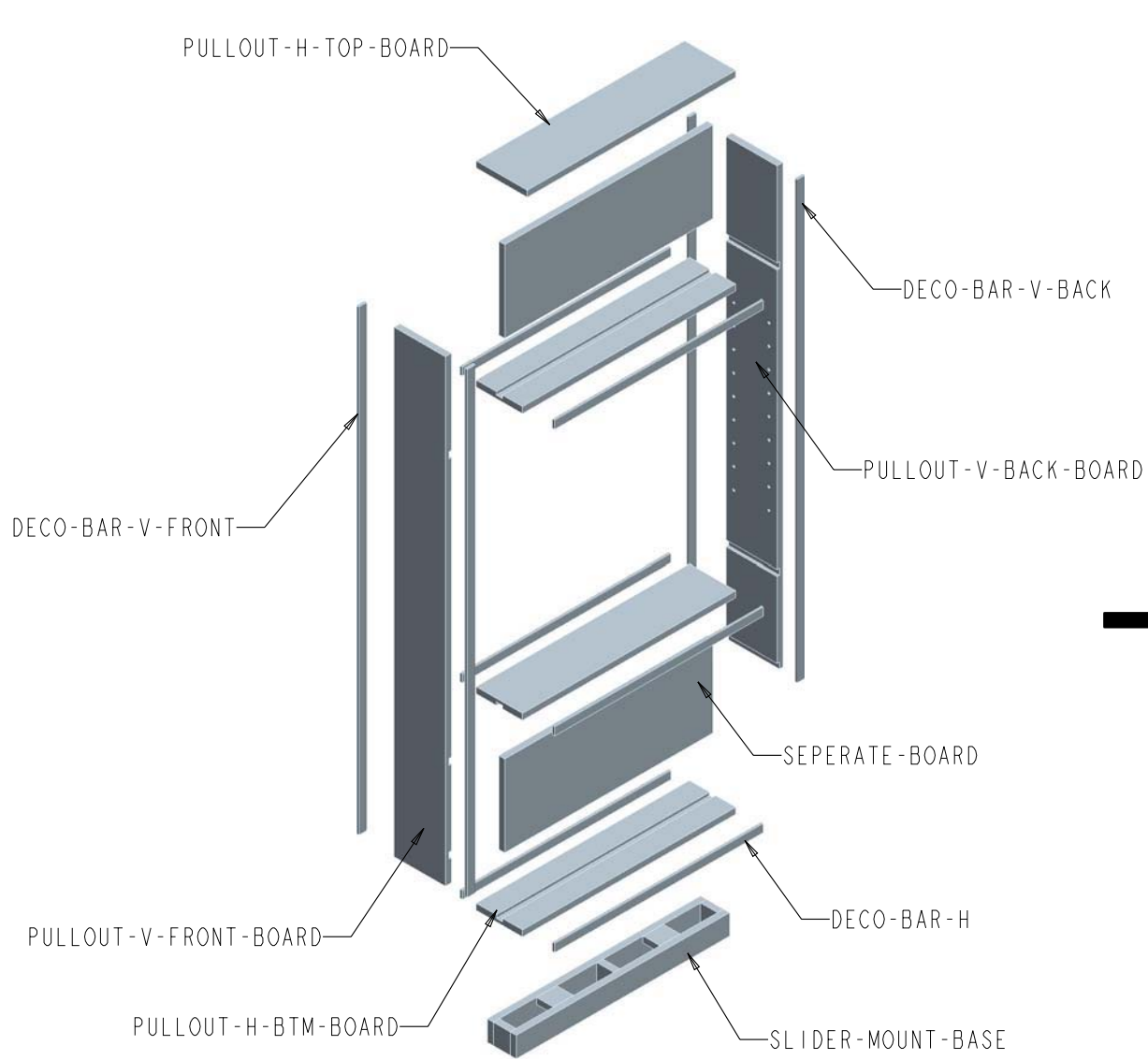
SILDER-MOUNT-BOARD SPEC SHEET:

Part Name	L	H
SILDER-MOUNT-BOARD-FOR-BASE	21-1/16"	2-1/2"
SILDER-MOUNT-BOARD-FOR-PULLOUT	20-15/16"	2"

NOTE :

The dimension L & H of current SILDER-MOUNT-BOARD is showing with red frame

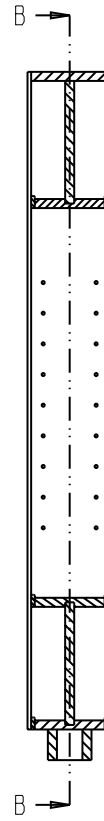
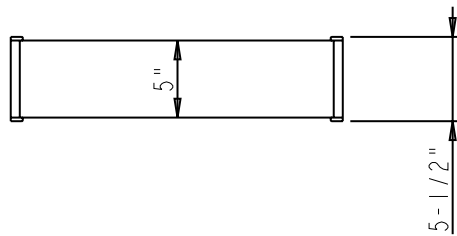
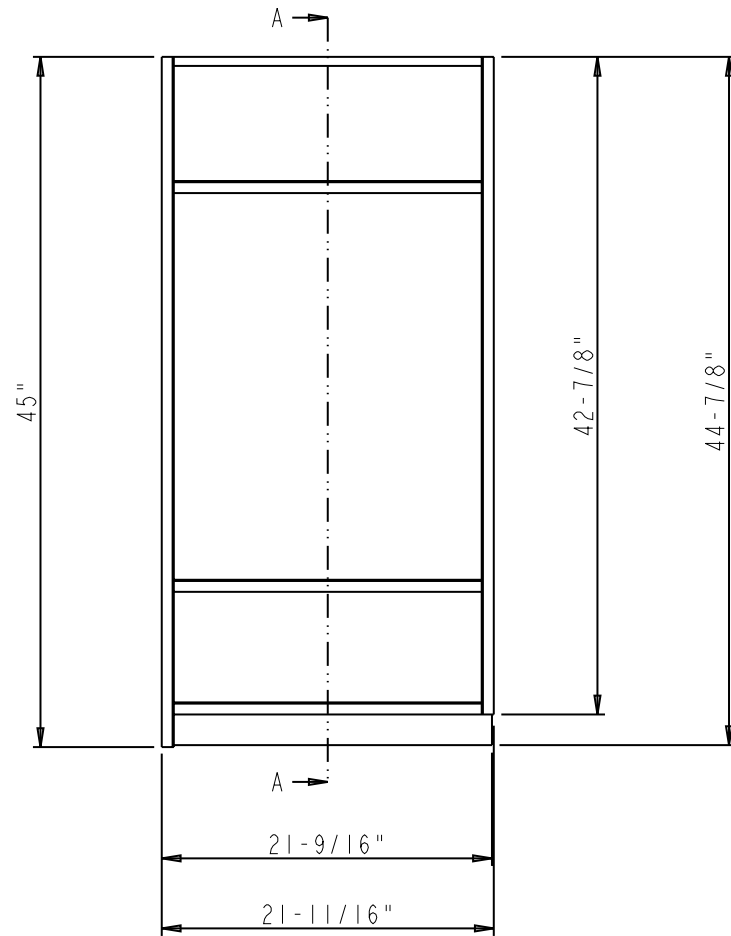
hardware resources	ITEM#: SILDER-MOUNT-BOARD		MATERIAL: PLY Wood
	FINISH:		WEIGHT: 9
PROPRIETARY AND CONFIDENTIAL THE INFORMATION CONTAINED IN THIS DRAWING IS THE SOLE PROPERTY OF HARDWARE RESOURCES INC. ANY REPRODUCTION IN PART OR AS A WHOLE WITHOUT THE WRITTEN PERMISSION OF HARDWARE RESOURCES INC. IS PROHIBITED.	TOLERANCE UNLESS OTHERWISE SPECIFIED: X : MM ±0.20 X.X : MM ±0.10 X.XX : MM ±0.05 ANGULAR: ±0.5° DO NOT SCALE DRAWING		PROJECTION:
	UNIT:	DRAWN BY: alan. liu	DATE:
	SIZE:	CHECKED BY:	DATE:
		APPROVED BY:	DATE:



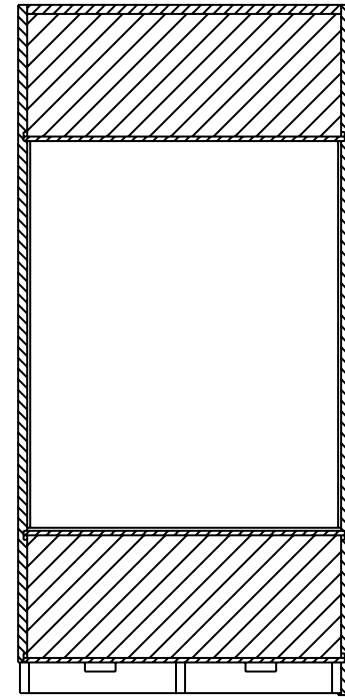
Bills of Material:

NO.	ITEM#	MATERIAL	QTY	UNIT		TYPE	ASSY LEVEL
				WEIGHT	TOTLE		
9	DECO-BAR-V-FRONT	Maple	2			PART	1
8	DECO-BAR-V-BACK	Maple	2			PART	1
7	DECO-BAR-H	Maple	6			PART	1
6	SLIDER-MOUNT-BASE	ASSEMBLY	1			ASSEMBLY	1
5	PULLOUT-V-FRONT-BOARD	PLY Wood	1			PART	1
4	SEPERATE-BOARD	PLY Wood	2			PART	1
3	PULLOUT-H-BTM-BOARD	PLY Wood	3			PART	1
2	PULLOUT-H-TOP-BOARD	PLY Wood	1			PART	1
1	PULLOUT-V-BACK-BOARD	PLY Wood	1			PART	1

hardware resources	ITEM#	PULLOUT-ASSY		MATERIAL
	FINISH			WEIGHT
PROPRIETARY AND CONFIDENTIAL			PROJECTION	9
THE INFORMATION CONTAINED IN THIS DRAWING IS THE SOLE PROPERTY OF HARDWARE RESOURCES INC. ANY REPRODUCTION IN PART OR AS A WHOLE WITHOUT THE WRITTEN PERMISSION OF HARDWARE RESOURCES INC. IS PROHIBITED.	TOLERANCE UNLESS OTHERWISE SPECIFIED	UNIT:	DRAWN BY:	DATE:
	X : MM ±0.20	SIZE:	<i>alan. liu</i>	
	X.X : MM ±0.10	CHECKED BY:		DATE:
	X.XX : MM ±0.05	APPROVED BY:		DATE:
	ANGULAR: ±0.5°			
	DO NOT SCALE DRAWING			

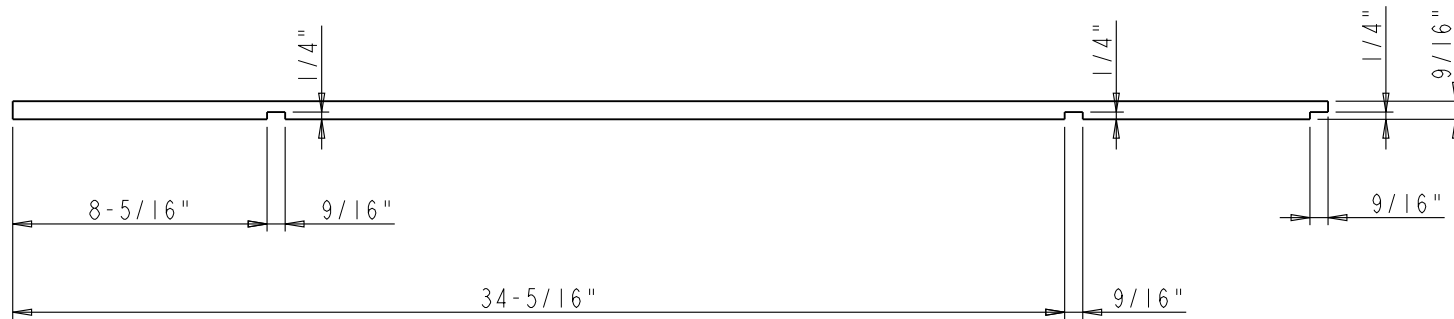
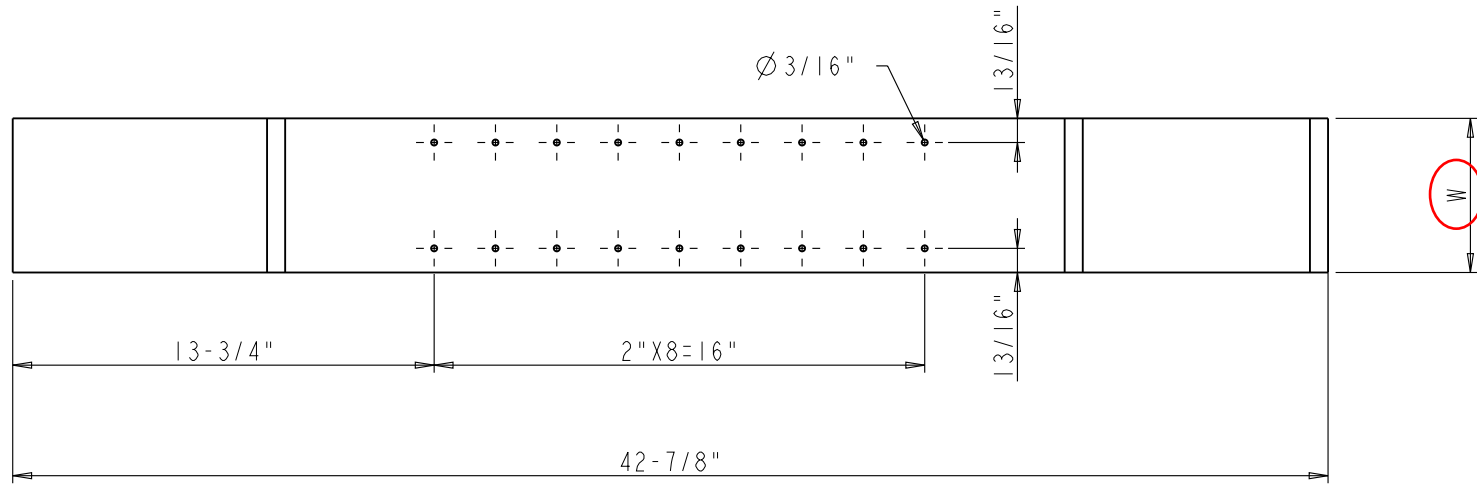


SECTION A-A



SECTION B-B

	ITEM#: PULLOUT-ASSY-545		MATERIAL:		
	FINISH:		WEIGHT:		
PROPRIETARY AND CONFIDENTIAL THE INFORMATION CONTAINED IN THIS DRAWING IS THE SOLE PROPERTY OF HARDWARE RESOURCES INC. ANY REPRODUCTION IN PART OR AS A WHOLE WITHOUT THE WRITTEN PERMISSION OF HARDWARE RESOURCES INC. IS PROHIBITED.	TOLERANCE UNLESS OTHERWISE SPECIFIED: X : MM ±0.20 X.X : MM ±0.10 X.XX : MM ±0.05 ANGULAR: ±0.5° DO NOT SCALE DRAWING		UNIT:	DRAWN BY: <i>alan. liu</i>	DATE:
	SIZE:	CHECKED BY:	DATE:		
	APPROVED BY:		DATE:		
	PROJECTION:		9		



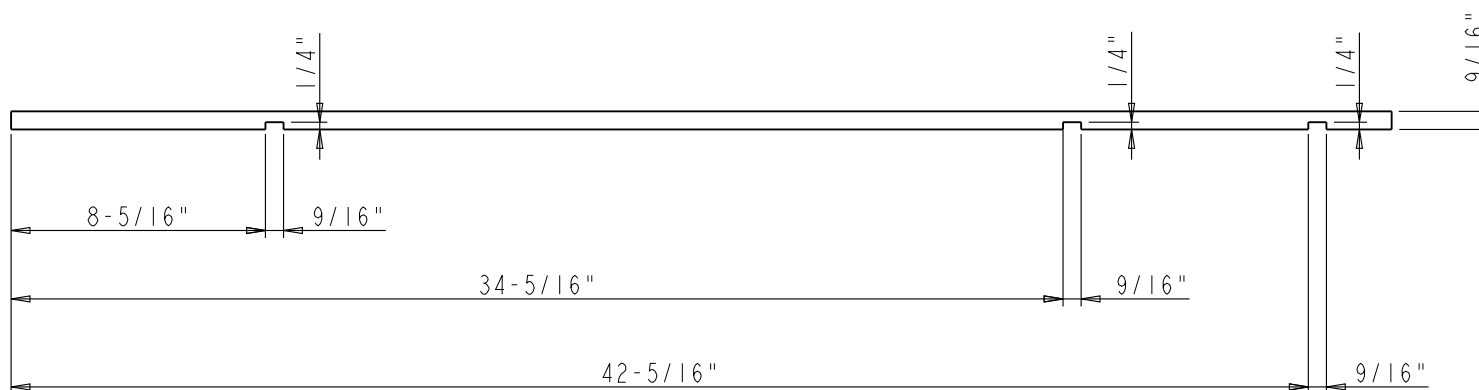
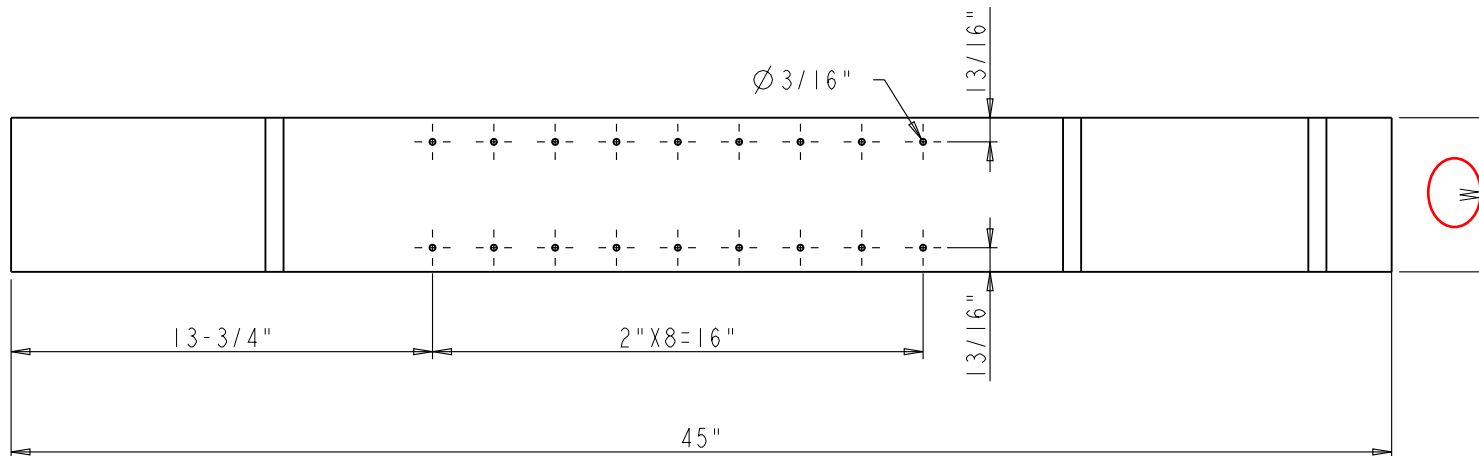
PULLOUT-V-BACK-BOARD-45 SPEC SHEET:

Part Name	W
PULLOUT-V-BACK-BOARD-45-5"	5"
PULLOUT-V-BACK-BOARD-45-8"	8"
PULLOUT-V-BACK-BOARD-45-11"	11"
PULLOUT-V-BACK-BOARD-45-14"	14"

NOTE:

The dimension W of current BACK-Board-45 is showing with red frame

	ITEM#	PULLOUT-V-BACK-BOARD-45		MATERIAL	PLY Wood
	FINISH			WEIGHT	9
PROPRIETARY AND CONFIDENTIAL THE INFORMATION CONTAINED IN THIS DRAWING IS THE SOLE PROPERTY OF HARDWARE RESOURCES INC. ANY REPRODUCTION IN PART OR AS A WHOLE WITHOUT THE WRITTEN PERMISSION OF HARDWARE RESOURCES INC. IS PROHIBITED.	TOLERANCE UNLESS OTHERWISE SPECIFIED:	UNIT:	DRAWN BY:	DATE:	
	X: MM ±0.20	SIZE:	alan. liu	CHECKED BY:	DATE:
	X.X: MM ±0.10		APPROVED BY:		DATE:
	ANGULAR: ±0.5°				
DO NOT SCALE DRAWING					



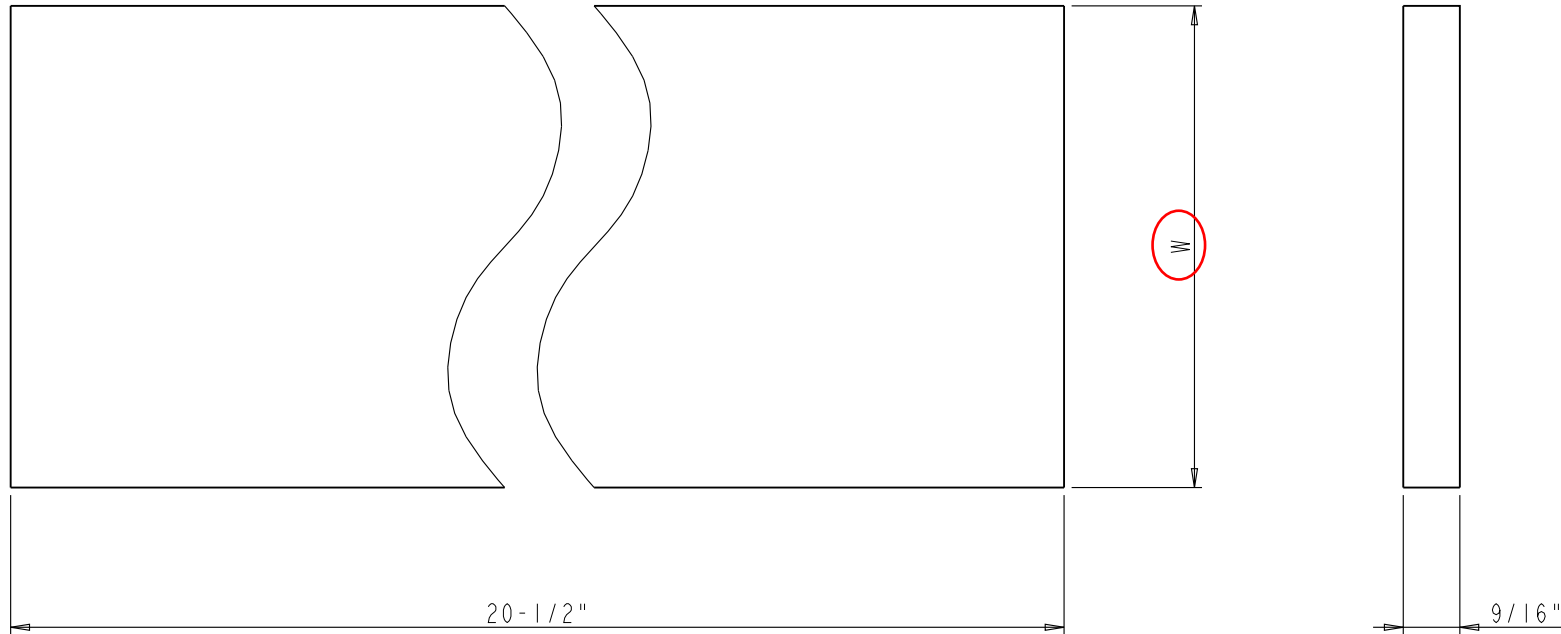
PULLOUT-V-FRONT-BOARD-45 SPEC SHEET:

Part Name	W
PULLOUT-V-FRONT-BOARD-45-5"	5"
PULLOUT-V-FRONT-BOARD-45-8"	8"
PULLOUT-V-FRONT-BOARD-45-11"	11"
PULLOUT-V-FRONT-BOARD-45-14"	14"

NOTE:

The dimension W of current FRONT-Board-45 is showing with red frame

	ITEM:	PULLOUT-V-FRONT-BOARD-45		MATERIAL:	PLY Wood
	FINISH:			WEIGHT:	9
PROPRIETARY AND CONFIDENTIAL THE INFORMATION CONTAINED IN THIS DRAWING IS THE SOLE PROPERTY OF HARDWARE RESOURCES INC. ANY REPRODUCTION IN PART OR AS A WHOLE WITHOUT THE WRITTEN PERMISSION OF HARDWARE RESOURCES INC. IS PROHIBITED.	TOLERANCE UNLESS OTHERWISE SPECIFIED: X. MM ±0.20 X.X MM ±0.10 X.XX MM ±0.05 ANGULAR: ±0.5° DO NOT SCALE DRAWING	UNIT: SIZE:	DRAWN BY: <i>alan. liu</i>	PROJECTION: 	DATE:
			CHECKED BY:		DATE:
			APPROVED BY:		DATE:



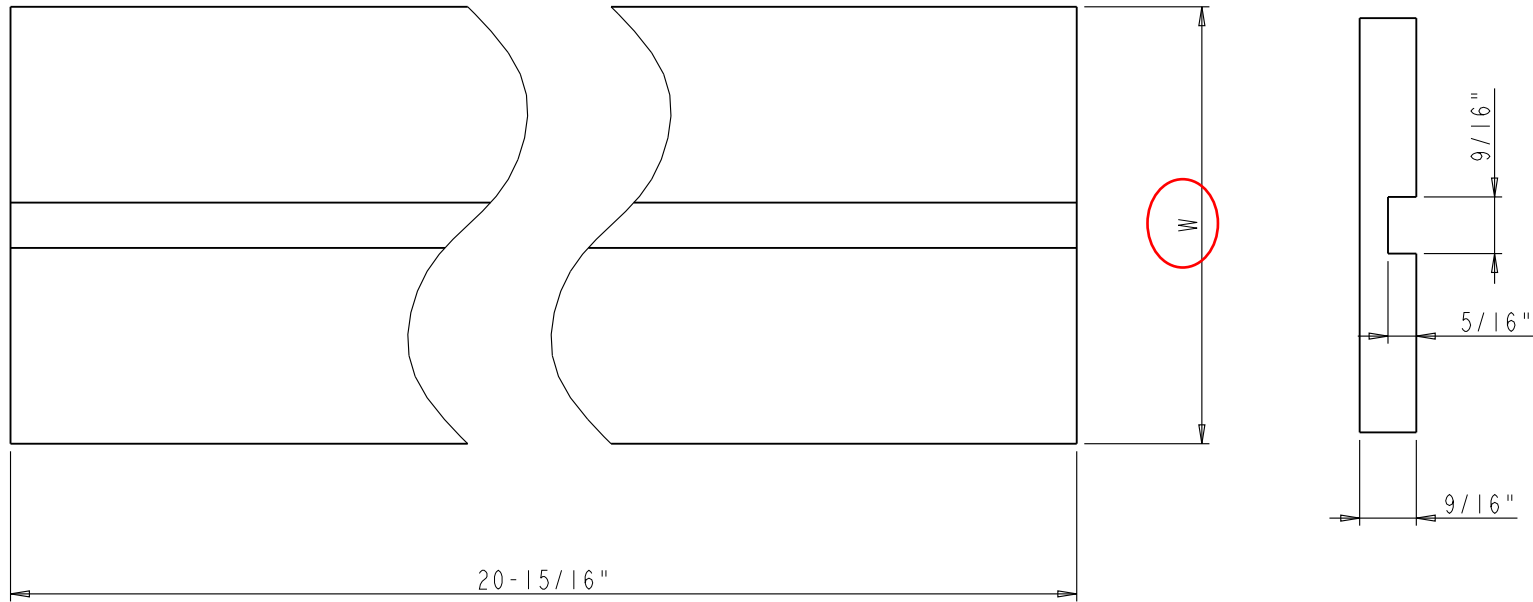
PULLOUT-H-TOP-BOARD SPEC SHEET:

Part Name	W
PULLOUT-H-TOP-BOARD-5"	5"
PULLOUT-H-TOP-BOARD-8"	8"
PULLOUT-H-TOP-BOARD-11"	11"
PULLOUT-H-TOP-BOARD-14"	14"

NOTE:

The dimension W of current TOP board is showing with red frame

hardware resources	ITEM#	PULLOUT-H-TOP-BOARD		MATERIAL:	PLY Wood
	FINISH:			WEIGHT:	9
PROPRIETARY AND CONFIDENTIAL THE INFORMATION CONTAINED IN THIS DRAWING IS THE SOLE PROPERTY OF HARDWARE RESOURCES INC. ANY REPRODUCTION IN PART OR AS A WHOLE WITHOUT THE WRITTEN PERMISSION OF HARDWARE RESOURCES INC. IS PROHIBITED.	TOLERANCE UNLESS OTHERWISE SPECIFIED:	UNIT:	DRAWN BY:	DATE:	
	X : MM ±0.20	SIZE:	<i>alan. liu</i>	CHECKED BY:	DATE:
	X.X : MM ±0.10		APPROVED BY:	DATE:	
	X.XX : MM ±0.05				
ANGULAR: ±0.5°					
DO NOT SCALE DRAWING					



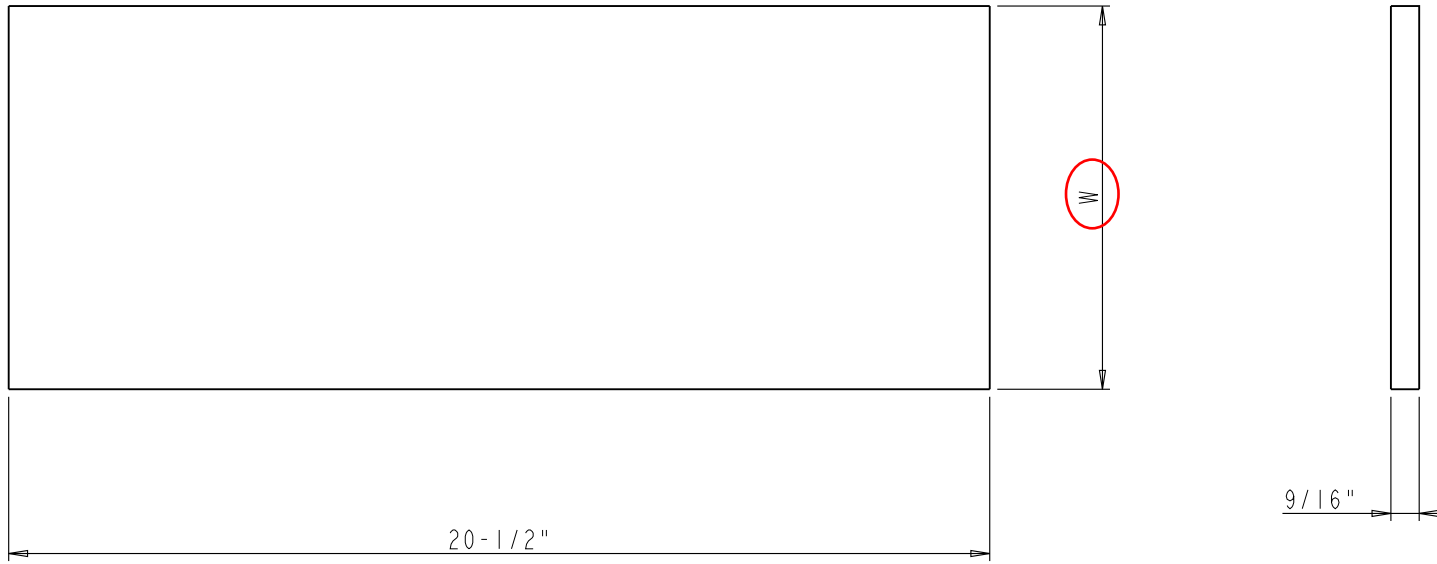
PULLOUT-H-BTM-BOARD SPEC SHEET:

Part Name	W
PULLOUT-H-BTM-BOARD-5"	4-5/16"
PULLOUT-H-BTM-BOARD-8"	7-5/16"
PULLOUT-H-BTM-BOARD-11"	10-5/16"
PULLOUT-H-BTM-BOARD-14"	13-5/16"

NOTE:

The dimension W of current BTM board is showing with red frame

	ITEM:	PULLOUT-H-BTM-BOARD		MATERIAL:	PLY Wood
	FINISH:			WEIGHT:	g
PROPRIETARY AND CONFIDENTIAL THE INFORMATION CONTAINED IN THIS DRAWING IS THE SOLE PROPERTY OF HARDWARE RESOURCES INC. ANY REPRODUCTION IN PART OR AS A WHOLE WITHOUT THE WRITTEN PERMISSION OF HARDWARE RESOURCES INC. IS PROHIBITED	TOLERANCE UNLESS OTHERWISE SPECIFIED:	UNIT:	DRAWN BY:	DATE:	
	X: MM ±0.20	SIZE:		DATE:	
	X.X: MM ±0.10			DATE:	
	X.XX: MM ±0.05			DATE:	
ANGULAR: ±0.5°	APPROVED BY:	DATE:		DATE:	
DO NOT SCALE DRAWING					



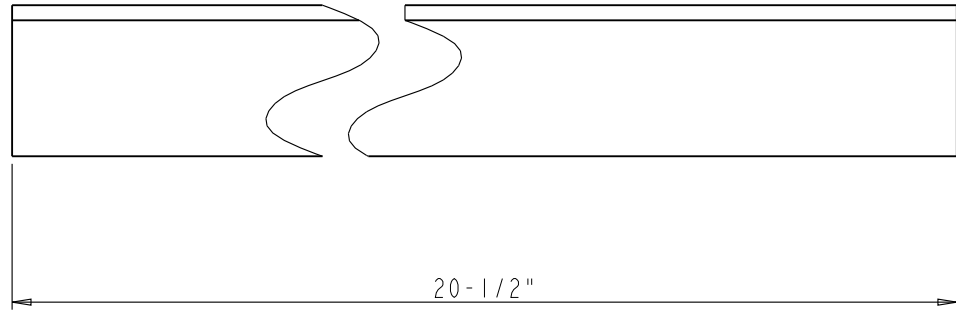
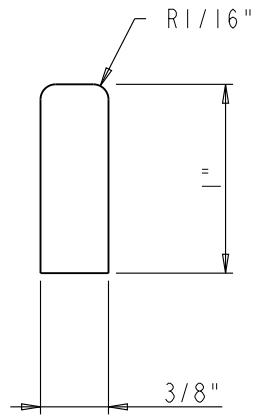
SEPERATE-BOARD SPEC SHEET:


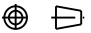
Part Name	W
SEPERATE-BOARD-45"	8"
SEPERATE-BOARD-60"	11"

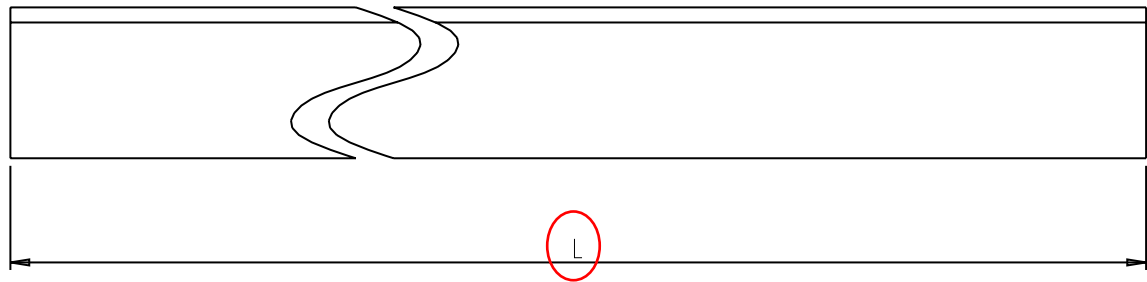
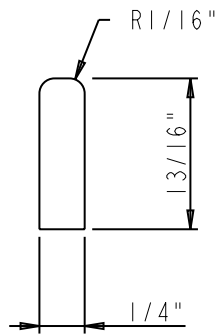
NOTE:

The dimension W of current SEPERATE-BOARD is showing with red frame

	ITEM#: SEPERATE-BOARD		MATERIAL: PLY Wood		
	FINISH:		WEIGHT: 9		
PROPRIETARY AND CONFIDENTIAL THE INFORMATION CONTAINED IN THIS DRAWING IS THE SOLE PROPERTY OF HARDWARE RESOURCES INC. ANY REPRODUCTION IN PART OR AS A WHOLE WITHOUT THE WRITTEN PERMISSION OF HARDWARE RESOURCES INC. IS PROHIBITED.	TOLERANCE UNLESS OTHERWISE SPECIFIED: X : MM ±0.20 X.X : MM ±0.10 X.XX : MM ±0.05 ANGULAR: ±0.5° DO NOT SCALE DRAWING		UNIT:	DRAWN BY: <i>alan. liu</i>	DATE:
	SIZE:	CHECKED BY:	DATE:		
	APPROVED BY:		DATE:		
	PROJECTION:				



	ITEM#: DECO-BAR-H		MATERIAL: Maple		
	FINISH:		WEIGHT: g		
PROPRIETARY AND CONFIDENTIAL THE INFORMATION CONTAINED IN THIS DRAWING IS THE SOLE PROPERTY OF HARDWARE RESOURCES INC. ANY REPRODUCTION IN PART OR AS A WHOLE WITHOUT THE WRITTEN PERMISSION OF HARDWARE RESOURCES INC. IS PROHIBITED.	TOLERANCE UNLESS OTHERWISE SPECIFIED: X : MM ±0.20 X.X : MM ±0.10 X.XX : MM ±0.05 ANGULAR: ±0.5° DO NOT SCALE DRAWING		UNIT:	DRAWN BY: <i>alan.liu</i>	DATE:
	SIZE:	CHECKED BY:	APPROVED BY:	DATE:	DATE:
	PROJECTION: 				



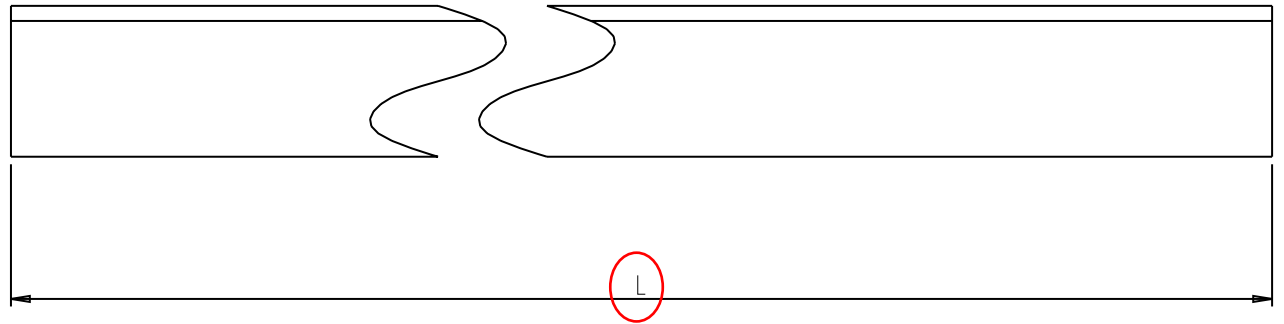
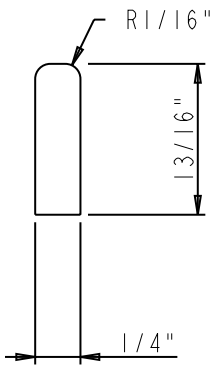
DECO-BAR-V-BACK SPEC SHEET:

Part Name	L
DECO-BAR-V-BACK-45"	42-7/8"
DECO-BAR-V-BACK-60"	54-7/8"

NOTE:

The dimension L of current DECO-BAR-V-BACK is showing with red frame

	ITEM#: DECO-BAR-V-BACK		MATERIAL: Maple		
	FINISH:		WEIGHT: 9		
PROPRIETARY AND CONFIDENTIAL THE INFORMATION CONTAINED IN THIS DRAWING IS THE SOLE PROPERTY OF HARDWARE RESOURCES INC. ANY REPRODUCTION IN PART OR AS A WHOLE WITHOUT THE WRITTEN PERMISSION OF HARDWARE RESOURCES INC. IS PROHIBITED.	TOLERANCE UNLESS OTHERWISE SPECIFIED: X : MM ±0.20 X.X : MM ±0.10 X.XX : MM ±0.05 ANGULAR: ±0.5° DO NOT SCALE DRAWING		UNIT:	DRAWN BY: alan.liu	DATE:
	SIZE:	CHECKED BY:	PROJECTION:		
	APPROVED BY:		DATE:		



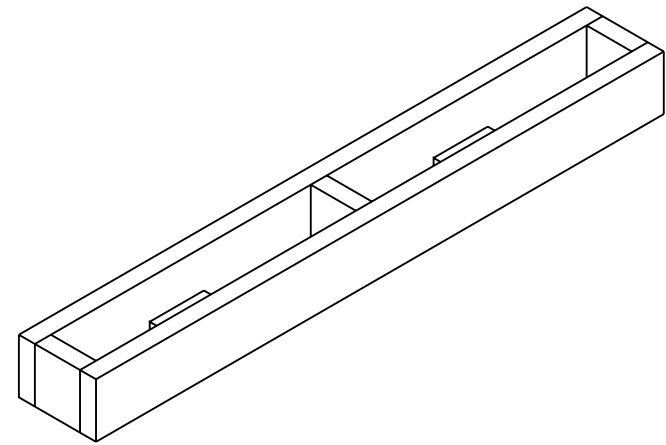
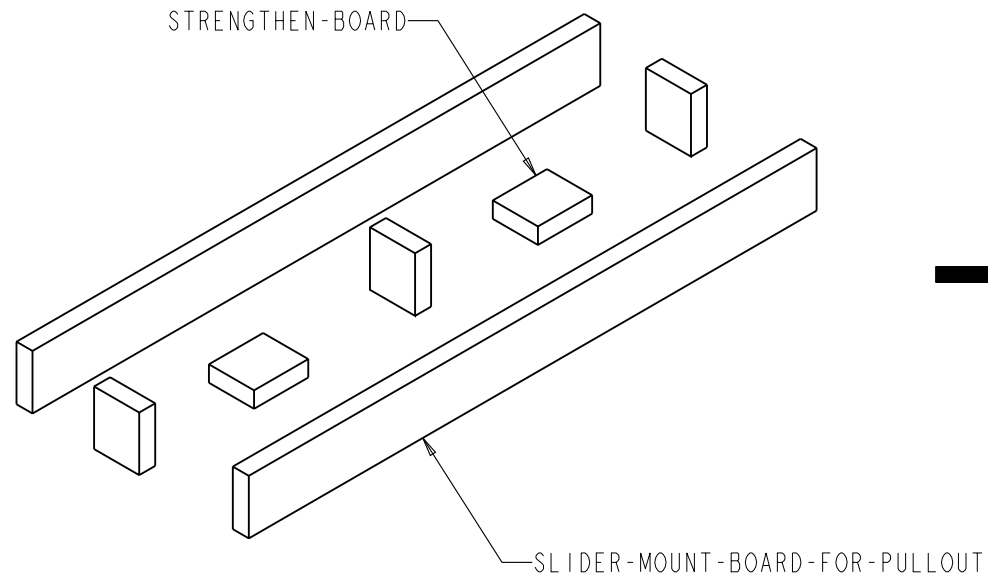
DECO-BAR-V-FRONT SPEC SHEET:


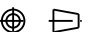
Part Name	L
DECO-BAR-V-FRONT-45"	45"
DECO-BAR-V-FRONT-60"	57"

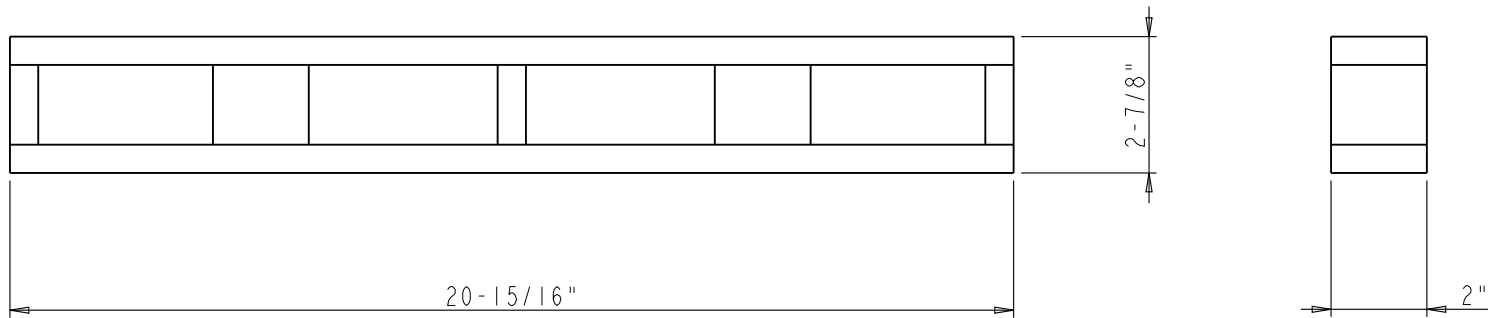
NOTE:

The dimension L of current DECO-BAR-V-FRONT is showing with red frame

	ITEM#: DECO-BAR-V-FRONT		MATERIAL: Maple		
	FINISH:		WEIGHT: 9		
PROPRIETARY AND CONFIDENTIAL THE INFORMATION CONTAINED IN THIS DRAWING IS THE SOLE PROPERTY OF HARDWARE RESOURCES INC. ANY REPRODUCTION IN PART OR AS A WHOLE WITHOUT THE WRITTEN PERMISSION OF HARDWARE RESOURCES INC. IS PROHIBITED.	TOLERANCE UNLESS OTHERWISE SPECIFIED: X. MM ±0.20 X.X MM ±0.10 X.XX MM ±0.05 ANGULAR: ±0.5° DO NOT SCALE DRAWING		UNIT:	DRAWN BY: <i>alan. liu</i>	DATE:
	SIZE:	CHECKED BY:	DATE:		
	APPROVED BY:			DATE:	
	PROJECTION:				

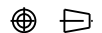


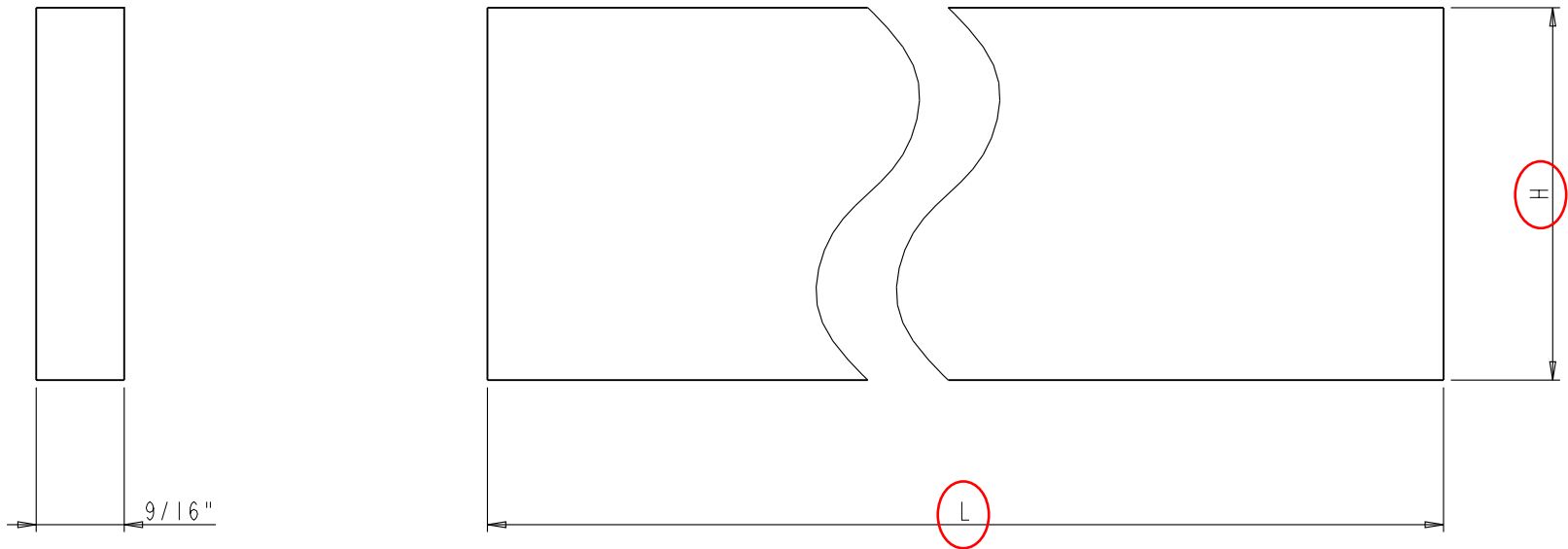
	ITEM#: SLIDER-MOUNT-BASE		MATERIAL:		
	FINISH:		WEIGHT: 9		
PROPRIETARY AND CONFIDENTIAL THE INFORMATION CONTAINED IN THIS DRAWING IS THE SOLE PROPERTY OF HARDWARE RESOURCES INC. ANY REPRODUCTION IN PART OR AS A WHOLE WITHOUT THE WRITTEN PERMISSION OF HARDWARE RESOURCES INC. IS PROHIBITED.	TOLERANCE UNLESS OTHERWISE SPECIFIED: X : MM ±0.20 X.X : MM ±0.10 X.XX : MM ±0.05 ANGULAR: ±0.5° DO NOT SCALE DRAWING		UNIT:	DRAWN BY: <i>alan. liu</i>	DATE:
	SIZE:	CHECKED BY:	DATE:		
	APPROVED BY:		DATE:		
	PROJECTION: 				



**hardware
resources**

PROPRIETARY AND CONFIDENTIAL THE INFORMATION CONTAINED IN THIS DRAWING IS THE SOLE PROPERTY OF HARDWARE RESOURCES INC. ANY REPRODUCTION IN PART OR AS A WHOLE WITHOUT THE WRITTEN PERMISSION OF HARDWARE RESOURCES INC. IS PROHIBITED.	ITEM#: SLIDER-MOUNT-BASE-05	MATERIAL:
	FINISH:	WEIGHT: 9
TOLERANCE UNLESS OTHERWISE SPECIFIED: X : MM ±0.20 X.X : MM ±0.10 X.XX : MM ±0.05 ANGULAR: ±0.5° DO NOT SCALE DRAWING	UNIT:	DRAWN BY: <i>alan.liu</i>
SIZE:	CHECKED BY:	DATE:
APPROVED BY:		DATE:





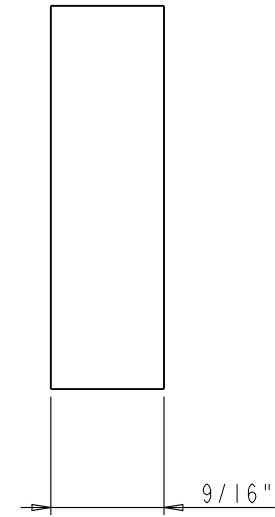
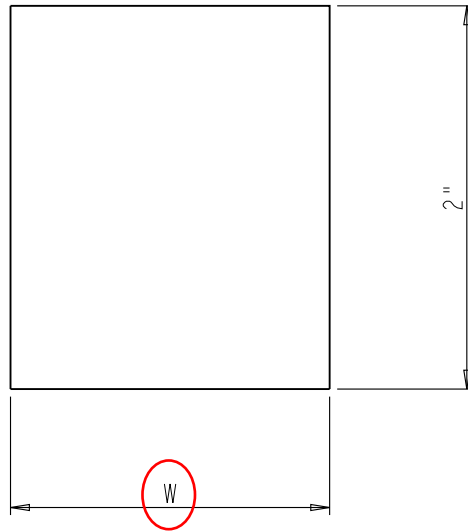
SILDER-MOUNT-BOARD SPEC SHEET:

Part Name	L	H
SILDER-MOUNT-BOARD-FOR-BASE	21-1/16"	2-1/2"
SILDER-MOUNT-BOARD-FOR-PULLOUT	20-15/16"	2"

NOTE :

The dimension L & H of current SILDER-MOUNT-BOARD is showing with red frame

hardware resources	ITEM#: SILDER-MOUNT-BOARD		MATERIAL: PLY Wood		
	FINISH:		WEIGHT: 9		
PROPRIETARY AND CONFIDENTIAL THE INFORMATION CONTAINED IN THIS DRAWING IS THE SOLE PROPERTY OF HARDWARE RESOURCES INC. ANY REPRODUCTION IN PART OR AS A WHOLE WITHOUT THE WRITTEN PERMISSION OF HARDWARE RESOURCES INC. IS PROHIBITED.	TOLERANCE UNLESS OTHERWISE SPECIFIED: X : MM ±0.20 X.X : MM ±0.10 X.XX : MM ±0.05 ANGULAR: ±0.5° DO NOT SCALE DRAWING		UNIT:	DRAWN BY: <i>alan. liu</i>	DATE:
	SIZE:	CHECKED BY:	APPROVED BY:		DATE:
	PROJECTION:		DATE:		
			DATE:		



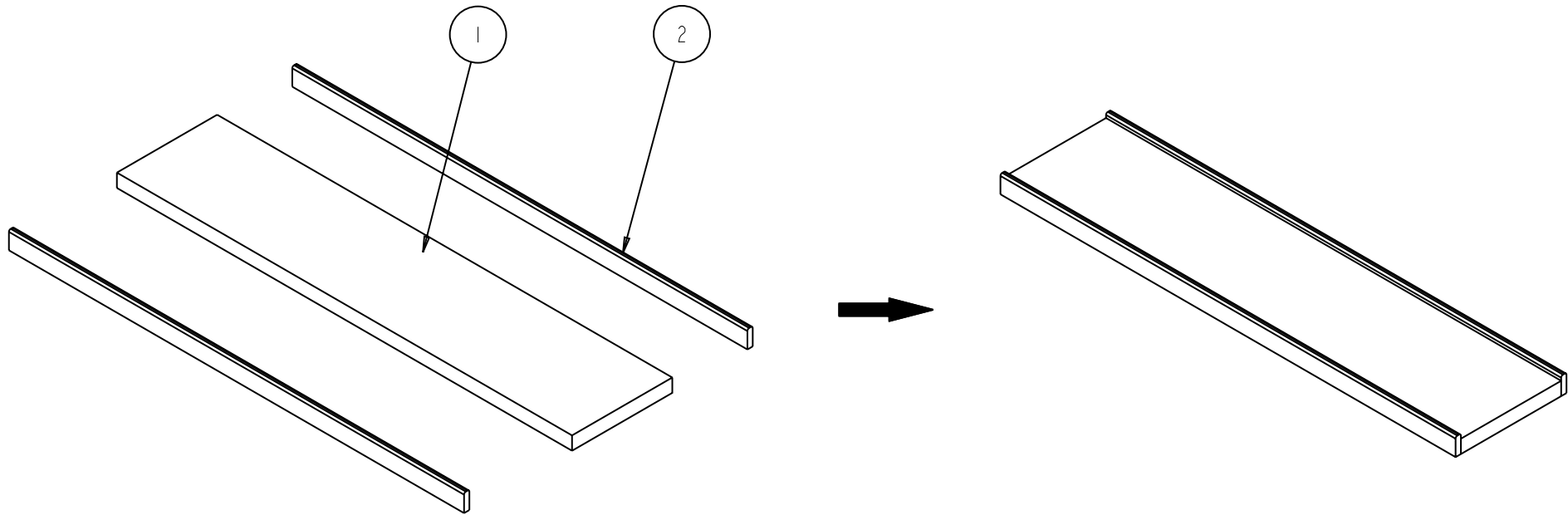
STRENGTHEN-BOARD SPEC SHEET:

Part Name	W
STRENGTHEN-BOARD-5"	1-11/16"
STRENGTHEN-BOARD-8"	4-11/16"
STRENGTHEN-BOARD-11"	7-11/16"
STRENGTHEN-BOARD-14"	10-11/16"

NOTE:

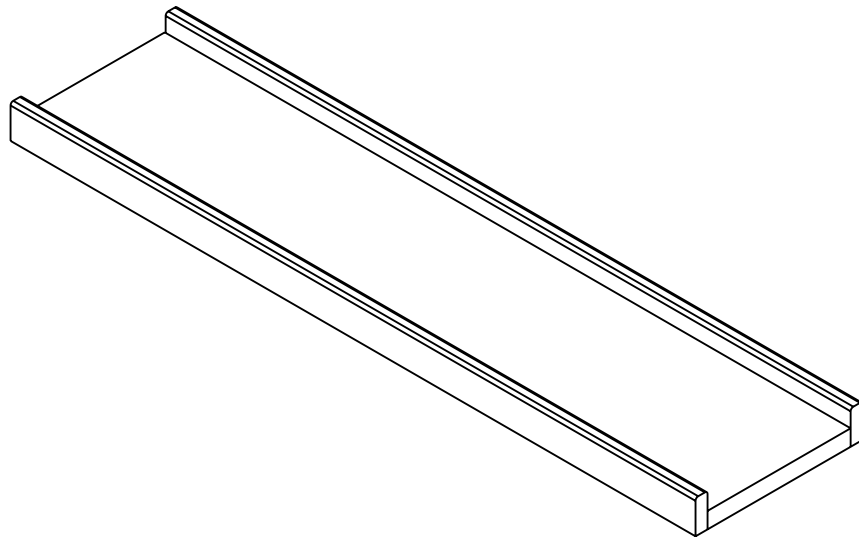
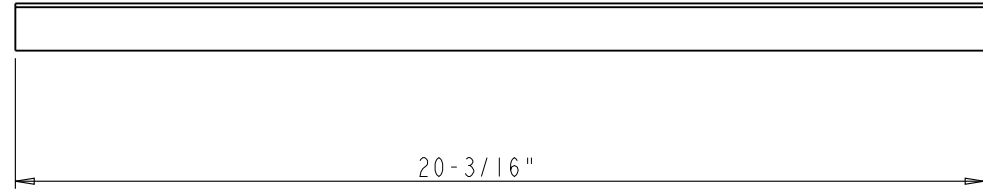
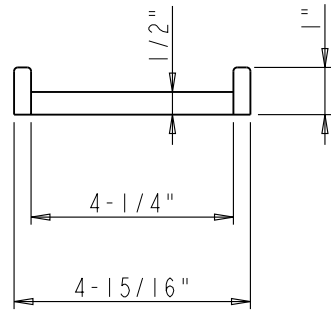
The dimension W of current STRENGTHEN-BOARD is showing with red frame

hardware resources	ITEM#: STRENGTHEN-BOARD	MATERIAL: PLY Wood
	FINISH:	WEIGHT: 9
PROPRIETARY AND CONFIDENTIAL THE INFORMATION CONTAINED IN THIS DRAWING IS THE SOLE PROPERTY OF HARDWARE RESOURCES INC. ANY REPRODUCTION IN PART OR AS A WHOLE WITHOUT THE WRITTEN PERMISSION OF HARDWARE RESOURCES INC. IS PROHIBITED.	TOLERANCE UNLESS OTHERWISE SPECIFIED: X: MM ±0.20 X.X: MM ±0.10 X.XX: MM ±0.05 ANGULAR: ±0.5° DO NOT SCALE DRAWING	PROJECTION:
	UNIT:	DRAWN BY: <i>alan.liu</i>
	SIZE:	CHECKED BY:
	APPROVED BY:	DATE:

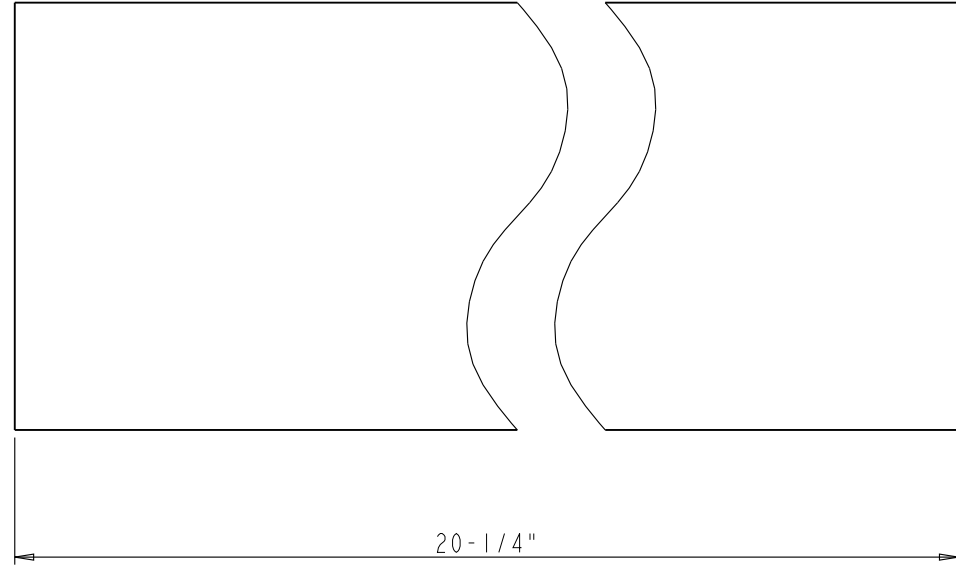
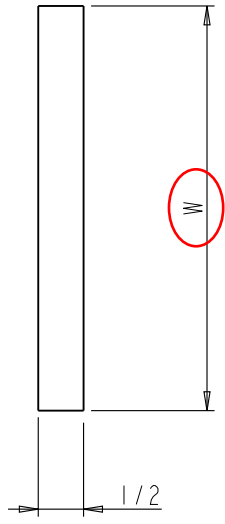


Bills of Material:

2	DECO-BAR-ADJUST-SHELF	Maple	2			PART	I	
1	BOARD-ADJUSTABLE	PLY Wood	1			PART	I	
NO.	ITEM#	MATERIAL	QTY	UNIT		TYPE	ASSY LEVEL	
				WEIGHT				
		ITEM#: ADJUST-SHELF			MATERIAL:			
PROPRIETARY AND CONFIDENTIAL THE INFORMATION CONTAINED IN THIS DRAWING IS THE SOLE PROPERTY OF HARDWARE RESOURCES INC. ANY REPRODUCTION IN PART OR AS A WHOLE WITHOUT THE WRITTEN PERMISSION OF HARDWARE RESOURCES INC. IS PROHIBITED.		FINISH:			WEIGHT: 9			
		TOLERANCE UNLESS OTHERWISE SPECIFIED: X: MM ±0.20 X.X: MM ±0.10 X.XX: MM ±0.05 ANGULAR: ±0.5° DO NOT SCALE DRAWING			UNIT: SIZE:		DRAWN BY: <i>alan. liu</i> CHECKED BY: APPROVED BY:	
					PROJECTION:		DATE:	
							DATE:	
							DATE:	



	ITEM#: ADJUST-SHELF-5		MATERIAL:		
	FINISH:		WEIGHT: 9		
PROPRIETARY AND CONFIDENTIAL THE INFORMATION CONTAINED IN THIS DRAWING IS THE SOLE PROPERTY OF HARDWARE RESOURCES INC. ANY REPRODUCTION IN PART OR AS A WHOLE WITHOUT THE WRITTEN PERMISSION OF HARDWARE RESOURCES INC. IS PROHIBITED.	TOLERANCE UNLESS OTHERWISE SPECIFIED: X: MM ±0.20 X.X: MM ±0.10 X.XX: MM ±0.05 ANGULAR: ±0.5° DO NOT SCALE DRAWING		UNIT: SIZE:	DRAWN BY: <i>alan.liu</i>	DATE:
			CHECKED BY:	DATE:	
			APPROVED BY:	DATE:	
				DATE:	



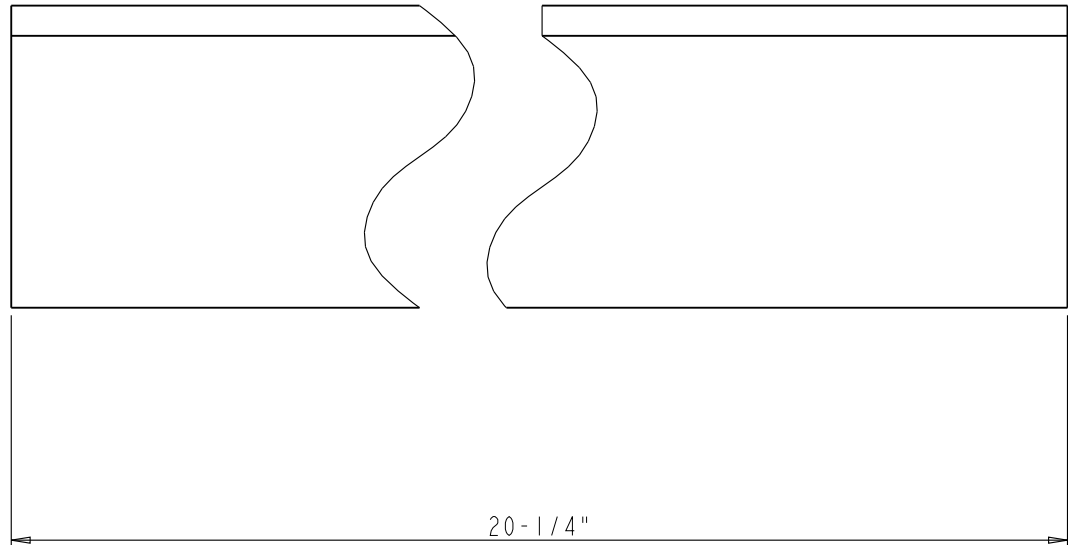
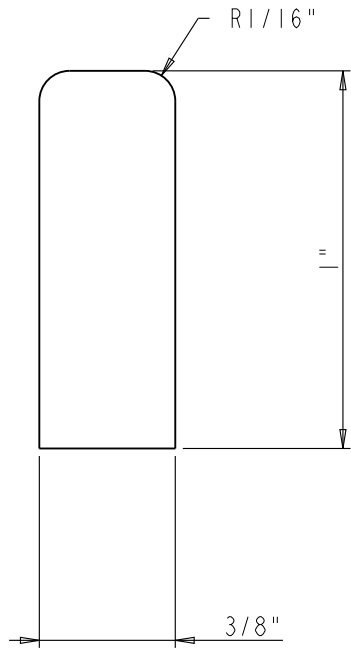
BOARD-ADJUSTABLE SPEC SHEET:

Part Name	W
BOARD-ADJUSTABLE - 5"	4 - 1/4"
BOARD-ADJUSTABLE - 8"	7 - 1/4"
BOARD-ADJUSTABLE - 11"	10 - 1/4"
BOARD-ADJUSTABLE - 14"	13 - 1/4"

NOTE:

The dimension W of current BOARD-ADJUSTABLE is showing with red frame

	ITEM:	BOARD-ADJUSTABLE		MATERIAL:	PLY Wood
	FINISH:			WEIGHT:	g
PROPRIETARY AND CONFIDENTIAL THE INFORMATION CONTAINED IN THIS DRAWING IS THE SOLE PROPERTY OF HARDWARE RESOURCES INC. ANY REPRODUCTION IN PART OR AS A WHOLE WITHOUT THE WRITTEN PERMISSION OF HARDWARE RESOURCES INC. IS PROHIBITED.	TOLERANCE UNLESS OTHERWISE SPECIFIED:	UNIT:	DRAWN BY:	DATE:	
	X : MM ±0.20	SIZE:		DATE:	
	X.X : MM ±0.10			DATE:	
	X.XX : MM ±0.05			DATE:	
ANGULAR: ±0.5°	APPROVED BY:	DATE:		DATE:	
DO NOT SCALE DRAWING					



	ITEM#: DECO-BAR-ADJUST-SHELF		MATERIAL: Maple		
	FINISH:		WEIGHT: g		
PROPRIETARY AND CONFIDENTIAL THE INFORMATION CONTAINED IN THIS DRAWING IS THE SOLE PROPERTY OF HARDWARE RESOURCES INC. ANY REPRODUCTION IN PART OR AS A WHOLE WITHOUT THE WRITTEN PERMISSION OF HARDWARE RESOURCES INC. IS PROHIBITED.	TOLERANCE UNLESS OTHERWISE SPECIFIED: X : MM ±0.20 X.X : MM ±0.10 X.XX : MM ±0.05 ANGULAR: ±0.5° DO NOT SCALE DRAWING		UNIT:	DRAWN BY: <i>alan.liu</i>	DATE:
	SIZE:	CHECKED BY:	DATE:		
	APPROVED BY:		DATE:		
	PROJECTION:				