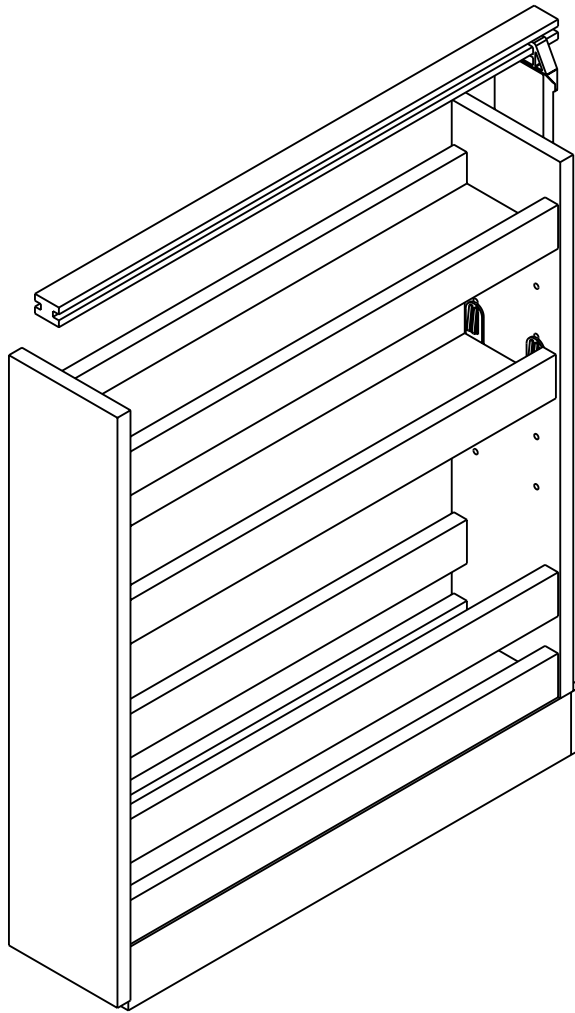


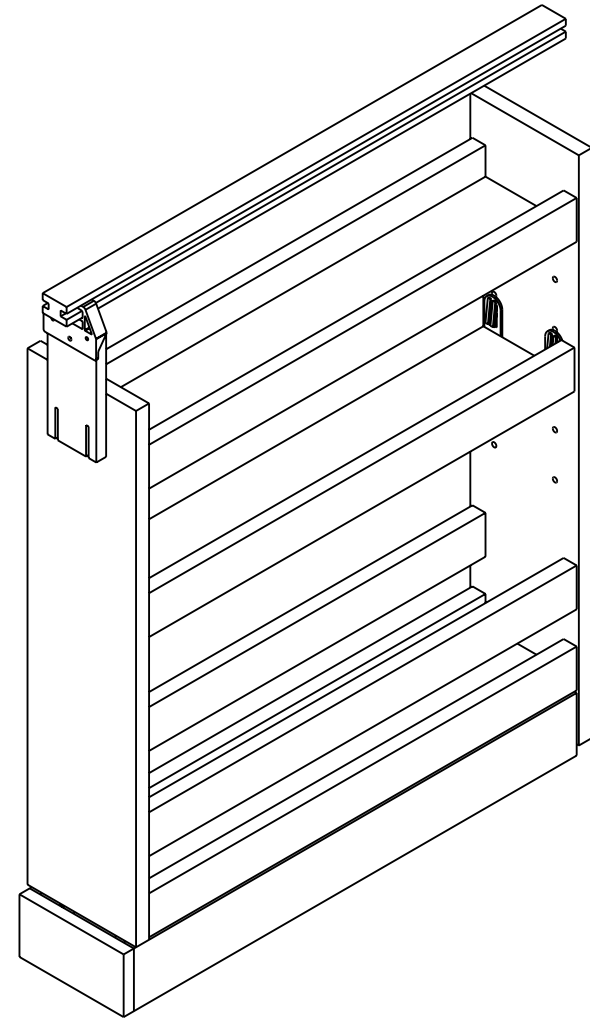
Bills of Material:

| NO. | ITEM# | MATERIAL | QTY | UNIT | TOTLE WEIGHT | TYPE | ASSY LEVEL |
|-----|--------------|----------|-----|------|--------------|----------|------------|
| 4 | 303FU-20 | Assembly | 2 | | | PART | 1 |
| 3 | RAIL | Maple | 1 | | | PART | 1 |
| 2 | PULLOUT-ASSY | Assembly | 1 | | | ASSEMBLY | 1 |
| 1 | BASE-ASSY | Assembly | 1 | | | ASSEMBLY | 1 |


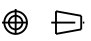
| | | | | |
|---|---|--------------|------------------------------|-------|
| hardware resources | ITEM# | | MATERIAL: | |
| | BPO-FAMILY | | WEIGHT: | |
| PROPRIETARY AND CONFIDENTIAL THE INFORMATION CONTAINED IN THIS DRAWING IS THE SOLE PROPERTY OF HARDWARE RESOURCES INC. ANY REPRODUCTION IN PART OR AS A WHOLE WITHOUT THE WRITTEN PERMISSION OF HARDWARE RESOURCES INC. IS PROHIBITED. | FINISH: | | PROJECTION: | |
| | TOLERANCE UNLESS OTHERWISE SPECIFIED: X: MM ±0.20 X.X: MM ±0.10 X.XX: MM ±0.05 ANGULAR: ±0.5° DO NOT SCALE DRAWING | UNIT: | DRAWN BY: <i>alan.liu</i> | DATE: |
| | SIZE: | CHECKED BY: | DATE: | |
| | | APPROVED BY: | DATE: | |

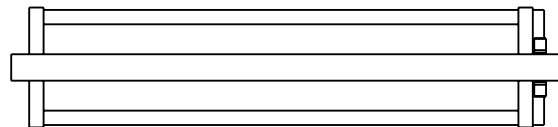
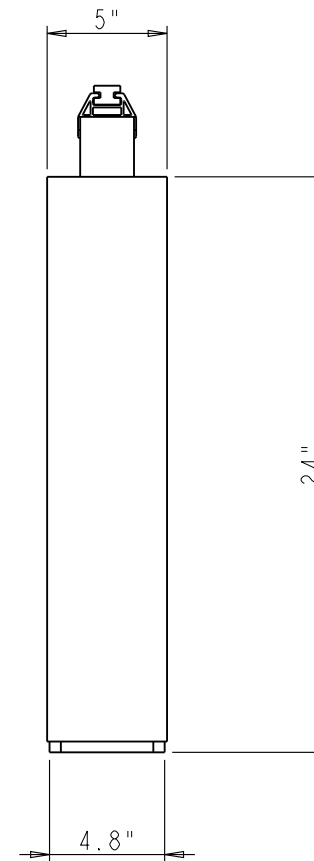
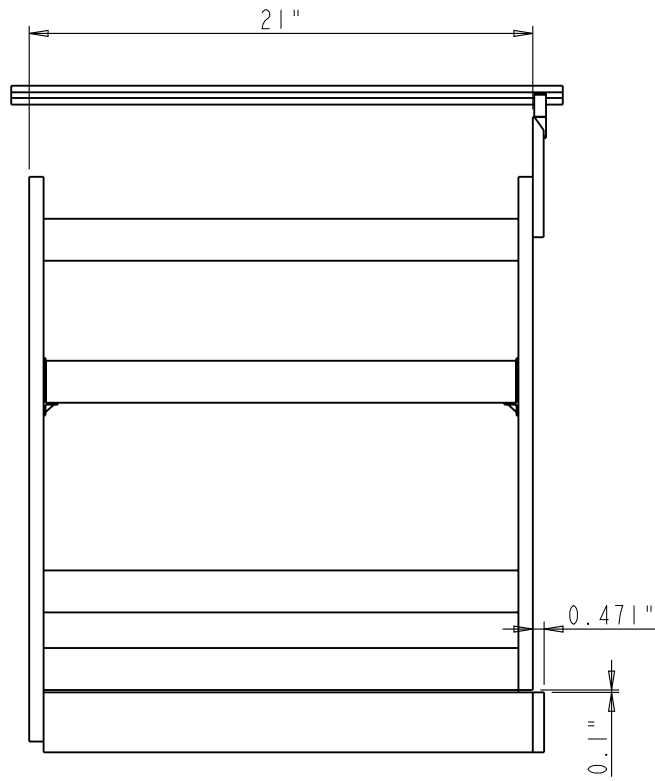


FRONT VIEW

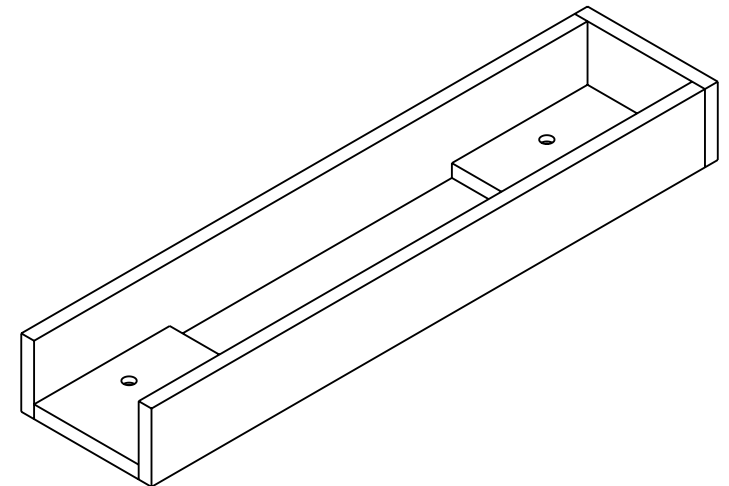
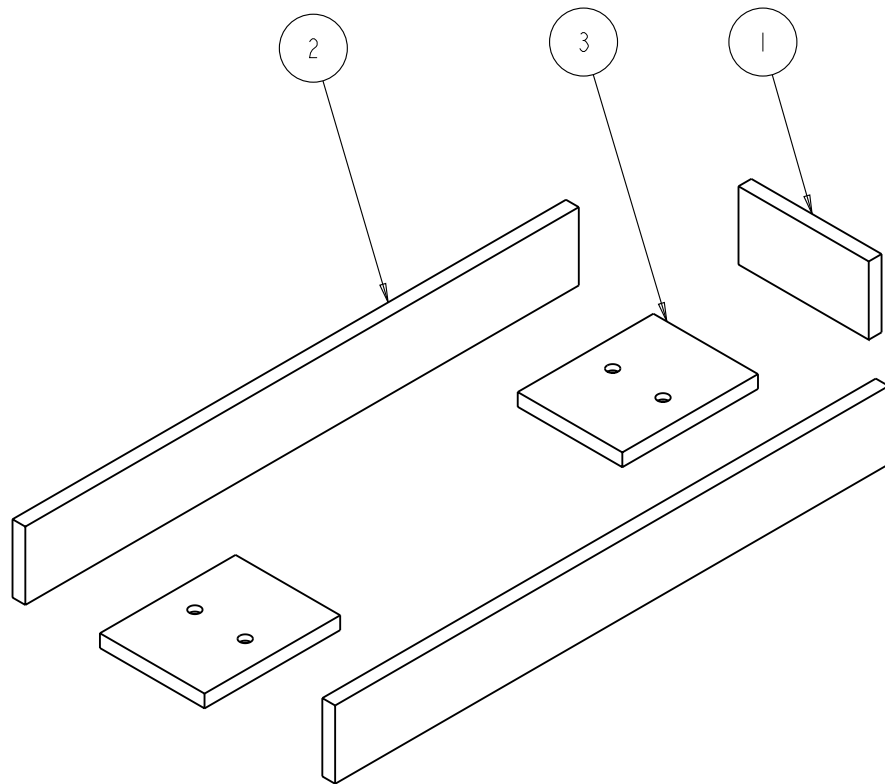


REAR VIEW

| | | | | |
|--|---------------------------------------|-------|------------------------------------|---|
|  | ITEM: BPO-FAMILY | | MATERIAL: | |
| | FINISH: | | WEIGHT: 9 | |
| <p>PROPRIETARY AND CONFIDENTIAL</p> <p>THE INFORMATION CONTAINED IN THIS DRAWING IS THE SOLE PROPERTY OF HARDWARE RESOURCES INC. ANY REPRODUCTION IN PART OR AS A WHOLE WITHOUT THE WRITTEN PERMISSION OF HARDWARE RESOURCES INC. IS PROHIBITED</p> | TOLERANCE UNLESS OTHERWISE SPECIFIED: | | UNIT: DRAWN BY: <i>alan.liu</i> | |
| | X : MM ±0.20 | | DATE: | |
| | X.X : MM ±0.10 | | CHECKED BY: | |
| | X.XX : MM ±0.05 | | APPROVED BY: | |
| ANGULAR: ±0.5° | | DATE: | | PROJECTION:  |
| DO NOT SCALE DRAWING | | | | |



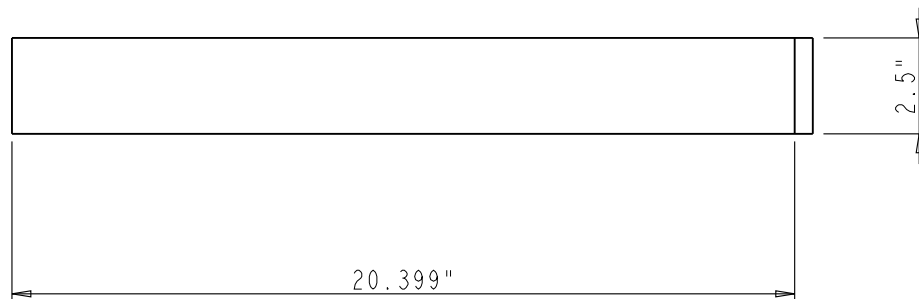
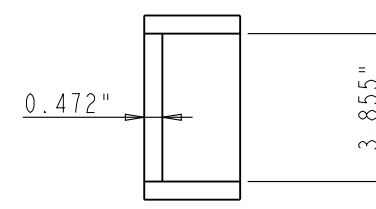
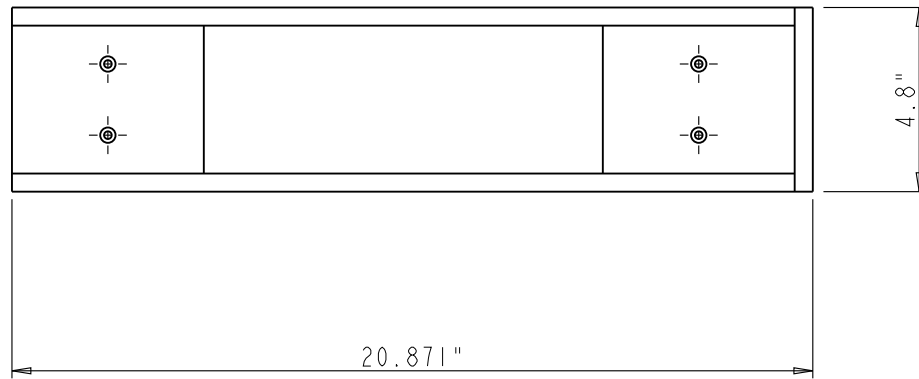
| | | | | | |
|--|--|--|----------------|------------------------------|-------|
| | ITEM#: BPO5 | | MATERIAL: | | |
| | FINISH: | | WEIGHT: 9 | | |
| PROPRIETARY AND CONFIDENTIAL THE INFORMATION CONTAINED IN THIS DRAWING IS THE SOLE PROPERTY OF HARDWARE RESOURCES INC. ANY REPRODUCTION IN PART OR AS A WHOLE WITHOUT THE WRITTEN PERMISSION OF HARDWARE RESOURCES INC. IS PROHIBITED. | TOLERANCE UNLESS OTHERWISE SPECIFIED: X : MM ±0.20 X.X : MM ±0.10 X.XX : MM ±0.05 ANGULAR: ±0.5° DO NOT SCALE DRAWING | | UNIT: SIZE: | DRAWN BY: <i>alan.liu</i> | DATE: |
| | | | | CHECKED BY: | DATE: |
| | | | | APPROVED BY: | DATE: |
| | | | | | |



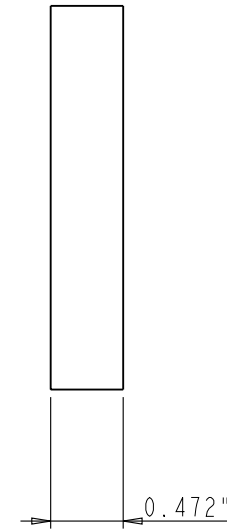
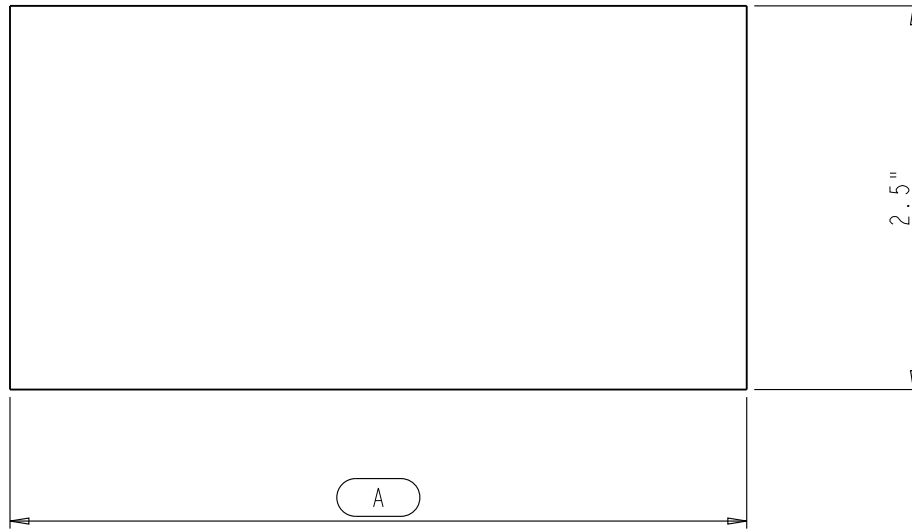
Bills of Material:

| 3 | BASE-BOARD-BTM | PLY Wood | 2 | | | PART | 1 |
|-----|-------------------------|----------|-----|--------|-------|------|------------|
| 2 | SLIDER-MOUNT-BOARD-BASE | PLY Wood | 2 | | | PART | 1 |
| 1 | BASE-BOARD-REAR | PLY Wood | 1 | | | PART | 1 |
| NO. | ITEM# | MATERIAL | QTY | UNIT | TOTLE | TYPE | ASSY LEVEL |
| | | | | WEIGHT | | | |

| | | | | | | |
|---|---------|---|-----------|----------------|------------------------------|-------|
| | ITEM# | | BASE-ASSY | | MATERIAL: | |
| | FINISH: | | | | WEIGHT: | |
| PROPRIETARY AND CONFIDENTIAL THE INFORMATION CONTAINED IN THIS DRAWING IS THE SOLE PROPERTY OF HARDWARE RESOURCES INC. ANY REPRODUCTION IN PART OR AS A WHOLE WITHOUT THE WRITTEN PERMISSION OF HARDWARE RESOURCES INC. IS PROHIBITED. | | TOLERANCE UNLESS OTHERWISE SPECIFIED: X: MM ±0.20 X.X: MM ±0.10 X.XX: MM ±0.05 ANGULAR: ±0.5° DO NOT SCALE DRAWING | | UNIT: SIZE: | DRAWN BY: <i>alan.liu</i> | DATE: |
| | | APPROVED BY: | | CHECKED BY: | | DATE: |



| | | | | | |
|--|--|--|----------------|------------------------------|-------|
| | ITEM#: BASE-ASSY-5 | | MATERIAL: | | |
| | FINISH: | | WEIGHT: 9 | | |
| PROPRIETARY AND CONFIDENTIAL THE INFORMATION CONTAINED IN THIS DRAWING IS THE SOLE PROPERTY OF HARDWARE RESOURCES INC. ANY REPRODUCTION IN PART OR AS A WHOLE WITHOUT THE WRITTEN PERMISSION OF HARDWARE RESOURCES INC. IS PROHIBITED. | TOLERANCE UNLESS OTHERWISE SPECIFIED: X : MM ±0.20 X.X : MM ±0.10 X.XX : MM ±0.05 ANGULAR: ±0.5° DO NOT SCALE DRAWING | | UNIT: SIZE: | DRAWN BY: <i>alan.liu</i> | DATE: |
| | | | CHECKED BY: | DATE: | |
| | | | APPROVED BY: | DATE: | |
| | | | PROJECTION: | | |



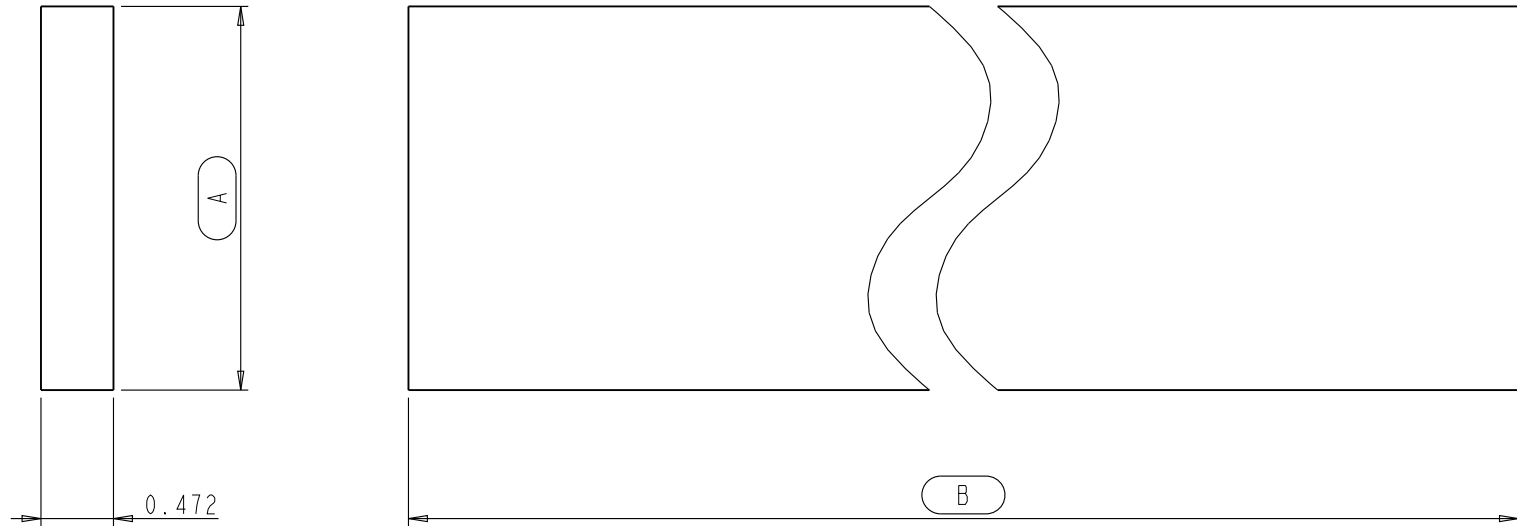
BASE-BOARD-REAR SPEC SHEET:

| Part Name | A |
|---------------------|------|
| BASE-BOARD-REAR-5" | 4.8" |
| BASE-BOARD-REAR-8" | 7.8" |
| BASE-BOARD-REAR-10" | 9.8" |

NOTE:

The dimension A of current BASE-BOARD-REAR is showing with red frame

| | | | | | |
|--|--|-------------|--------------------|---------------------------|-------|
| | ITEM#: BASE-BOARD-REAR | | MATERIAL: PLY Wood | | |
| | FINISH: | | WEIGHT: 9 | | |
| PROPRIETARY AND CONFIDENTIAL THE INFORMATION CONTAINED IN THIS DRAWING IS THE SOLE PROPERTY OF HARDWARE RESOURCES INC. ANY REPRODUCTION IN PART OR AS A WHOLE WITHOUT THE WRITTEN PERMISSION OF HARDWARE RESOURCES INC. IS PROHIBITED. | TOLERANCE UNLESS OTHERWISE SPECIFIED: X : MM ±0.20 X.X : MM ±0.10 X.XX : MM ±0.05 ANGULAR: ±0.5° DO NOT SCALE DRAWING | | UNIT: | DRAWN BY: <i>alan.liu</i> | DATE: |
| | SIZE: | CHECKED BY: | DATE: | | |
| | APPROVED BY: | | DATE: | | |
| | PROJECTION: | | | | |



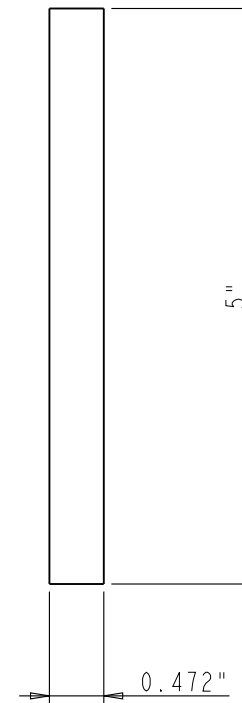
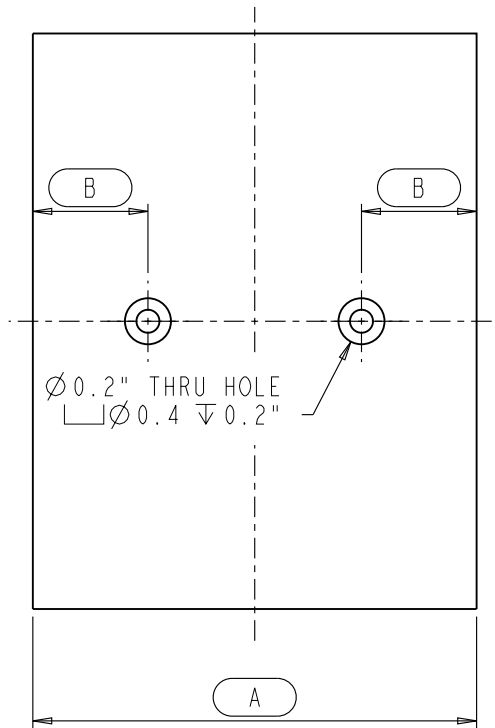
SLIDER-MOUNT-BOARD SPEC SHEET:

| Part Name | A | B |
|----------------------------|------|---------|
| SLIDER-MOUNT-BOARD-BASE | 2.5" | 20.399" |
| SLIDER-MOUNT-BOARD-PULLOUT | 2.3" | 19.8" |

NOTE:

The dimension A & B of current SLIDER-MOUNT-BOARD is showing with red frame

| | | | | | |
|---|--|-------------|--------------------|---------------------------|-------|
| | ITEM: SLIDER-MOUNT-BOARD | | MATERIAL: PLY Wood | | |
| | FINISH: | | WEIGHT: 9 | | |
| PROPRIETARY AND CONFIDENTIAL THE INFORMATION CONTAINED IN THIS DRAWING IS THE SOLE PROPERTY OF HARDWARE RESOURCES INC. ANY REPRODUCTION IN PART OR AS A WHOLE WITHOUT THE WRITTEN PERMISSION OF HARDWARE RESOURCES INC. IS PROHIBITED | TOLERANCE UNLESS OTHERWISE SPECIFIED: X : MM ±0.20 X.X : MM ±0.10 X.XX : MM ±0.05 ANGULAR: ±0.5° DO NOT SCALE DRAWING | | UNIT: | DRAWN BY: <i>alan.liu</i> | DATE: |
| | SIZE: | CHECKED BY: | DATE: | | |
| | APPROVED BY: | | DATE: | | |
| | PROJECTION: | | | | |



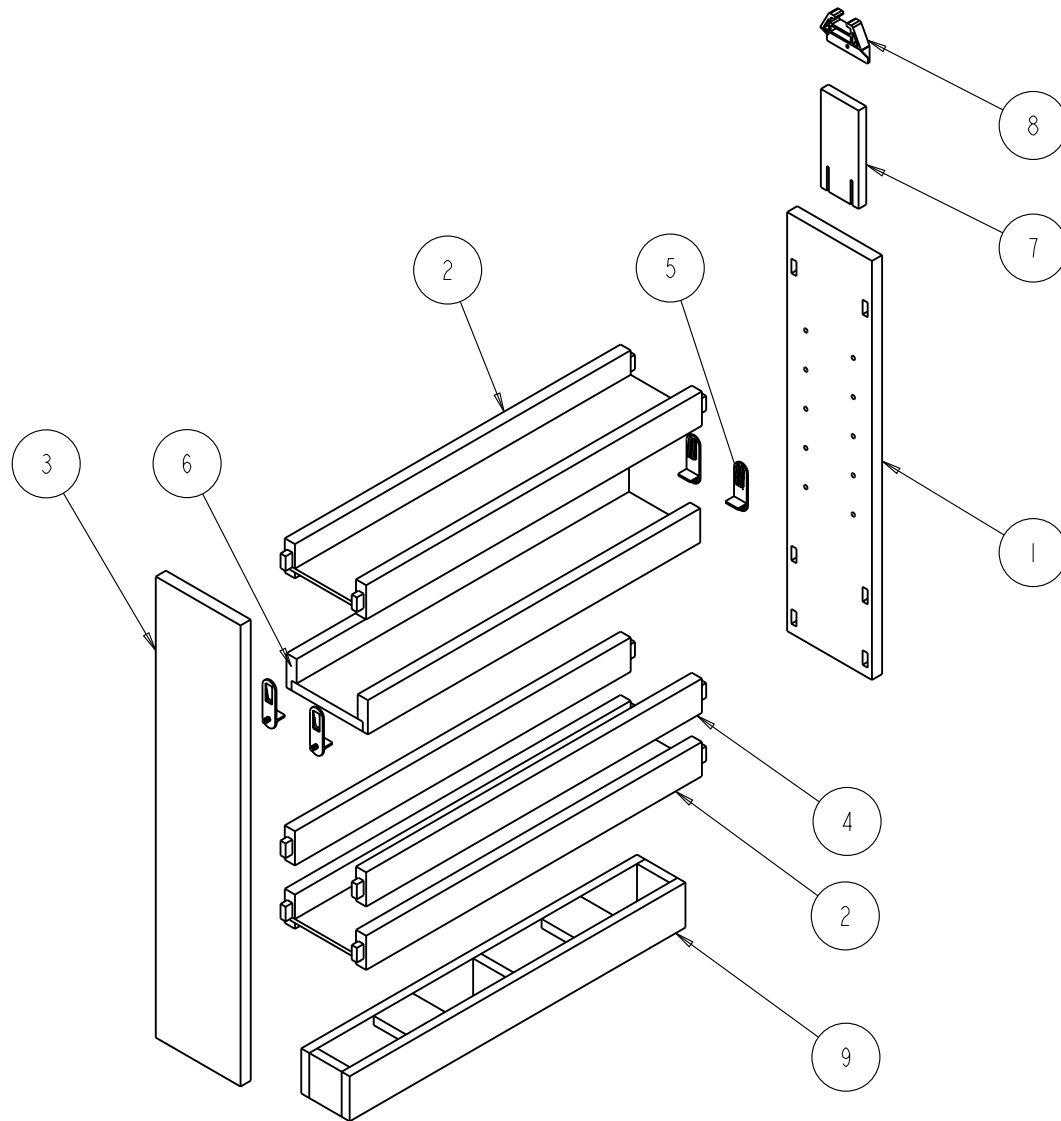
BASE-BOARD-BTM SPEC SHEET:

| Part Name | A | B |
|-------------------|--------|------|
| BASE-BOARD-BTM-5 | 3.855" | 1" |
| BASE-BOARD-BTM-8 | 6.855" | 1.5" |
| BASE-BOARD-BTM-10 | 8.855" | 2" |

NOTE:

The dimension A & B of current BASE-BOARD-BTM is showing with red frame

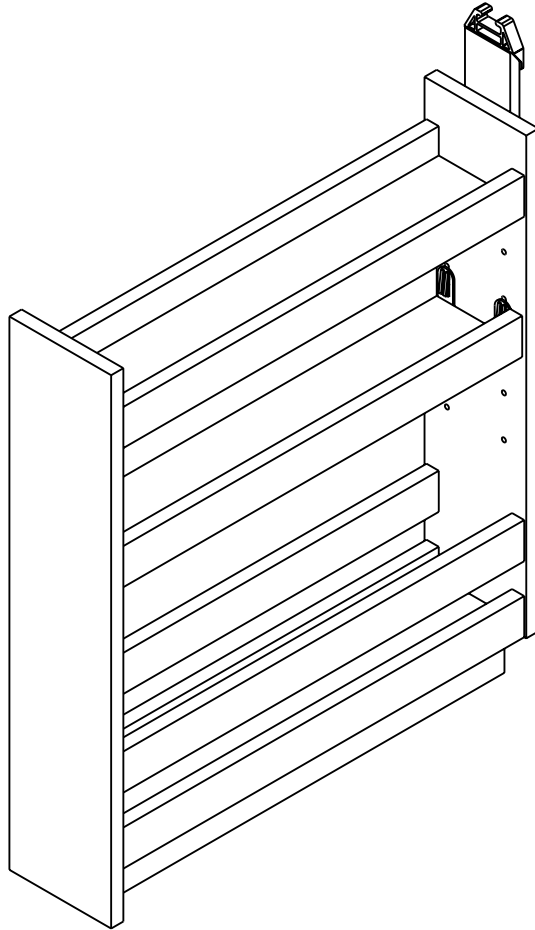
| | | | | | |
|---|---|-------------|--------------------|---------------------------|-------|
| | ITEM: BASE-BOARD-BTM | | MATERIAL: PLY Wood | | |
| | FINISH: | | WEIGHT: 9 | | |
| PROPRIETARY AND CONFIDENTIAL THE INFORMATION CONTAINED IN THIS DRAWING IS THE SOLE PROPERTY OF HARDWARE RESOURCES INC. ANY REPRODUCTION IN PART OR AS A WHOLE WITHOUT THE WRITTEN PERMISSION OF HARDWARE RESOURCES INC. IS PROHIBITED | TOLERANCE UNLESS OTHERWISE SPECIFIED: X: MM ±0.20 XX: MM ±0.10 XXX: MM ±0.05 ANGULAR: ±0.5° DO NOT SCALE DRAWING | | UNIT: | DRAWN BY: <i>alan.liu</i> | DATE: |
| | SIZE: | CHECKED BY: | DATE: | | |
| | APPROVED BY: | | DATE: | | |
| | PROJECTION: | | | | |



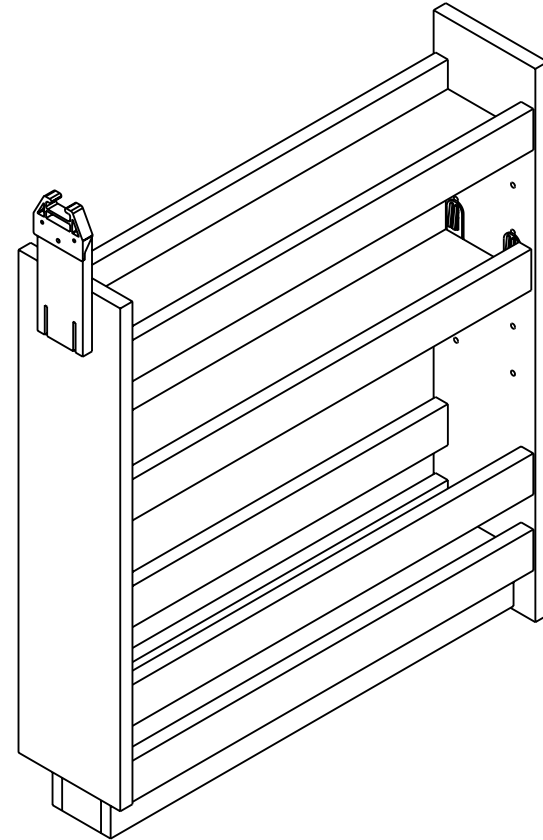
Bills of Material:

| NO. | ITEM# | MATERIAL | QTY | UNIT | TOTLE WEIGHT | TYPE | ASSY LEVEL |
|-----|--------------------|----------|-----|------|--------------|----------|------------|
| 9 | BOTTOM | Assembly | 1 | | | ASSEMBLY | 1 |
| 8 | HOLDER | ABS | 1 | | | PART | 1 |
| 7 | HOLDER-MOUNT | PLY Wood | 1 | | | PART | 1 |
| 6 | SHELF-ADJUSTABLE | Assembly | 1 | | | ASSEMBLY | 1 |
| 5 | 7704 | SAN | 4 | | | PART | 1 |
| 4 | SIDE-BOARD-SUPPORT | PLY Wood | 2 | | | PART | 1 |
| 3 | FACADE-BOARD-FRONT | PLY Wood | 1 | | | PART | 1 |
| 2 | SHELF-FIXED | Assembly | 2 | | | ASSEMBLY | 1 |
| 1 | FACADE-BOARD-REAR | PLY Wood | 1 | | | PART | 1 |


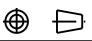
| | | | | | |
|--|--|-------------|-----------|---------------------------|-------|
| | ITEM#: PULLOUT-ASSY | | MATERIAL: | | |
| | FINISH: | | WEIGHT: 9 | | |
| PROPRIETARY AND CONFIDENTIAL THE INFORMATION CONTAINED IN THIS DRAWING IS THE SOLE PROPERTY OF HARDWARE RESOURCES INC. ANY REPRODUCTION IN PART OR AS A WHOLE WITHOUT THE WRITTEN PERMISSION OF HARDWARE RESOURCES INC. IS PROHIBITED. | TOLERANCE UNLESS OTHERWISE SPECIFIED: X : MM ±0.20 X.X : MM ±0.10 X.XX : MM ±0.05 ANGULAR: ±0.5° DO NOT SCALE DRAWING | | UNIT: | DRAWN BY: <i>alan.liu</i> | DATE: |
| | SIZE: | CHECKED BY: | DATE: | | |
| | APPROVED BY: | | DATE: | | |
| | PROJECTION: | | | | |

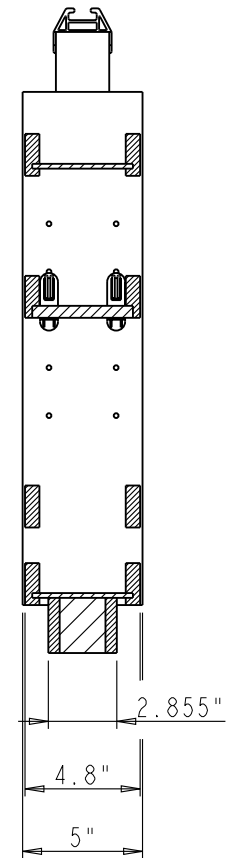
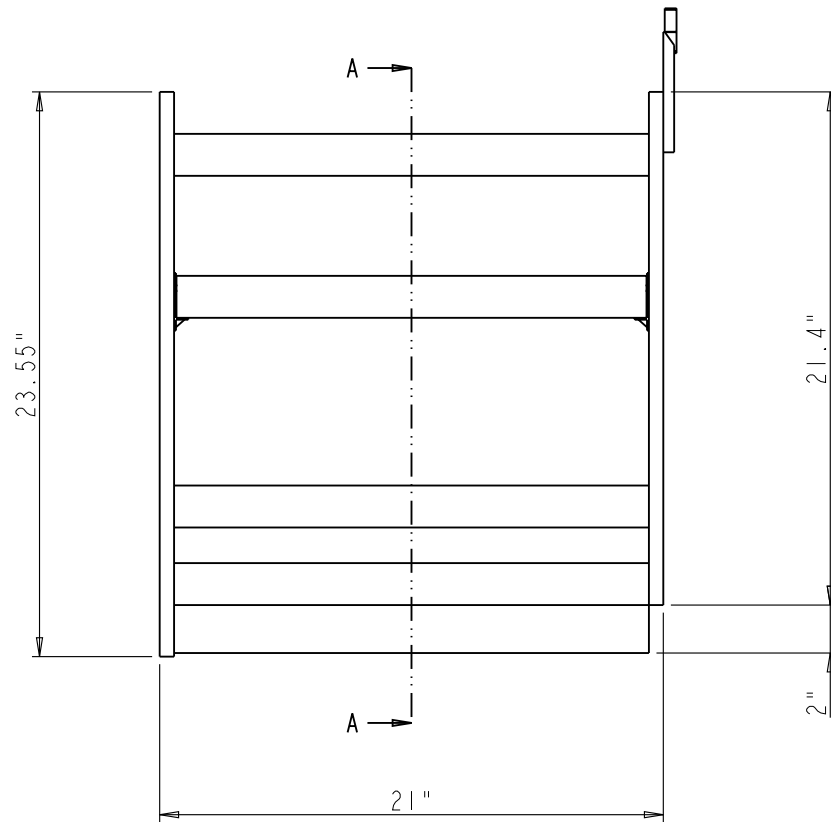


FRONT VIEW

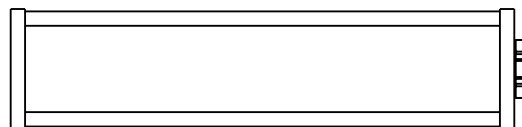


REAR VIEW

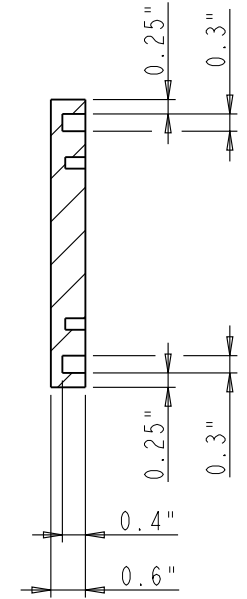
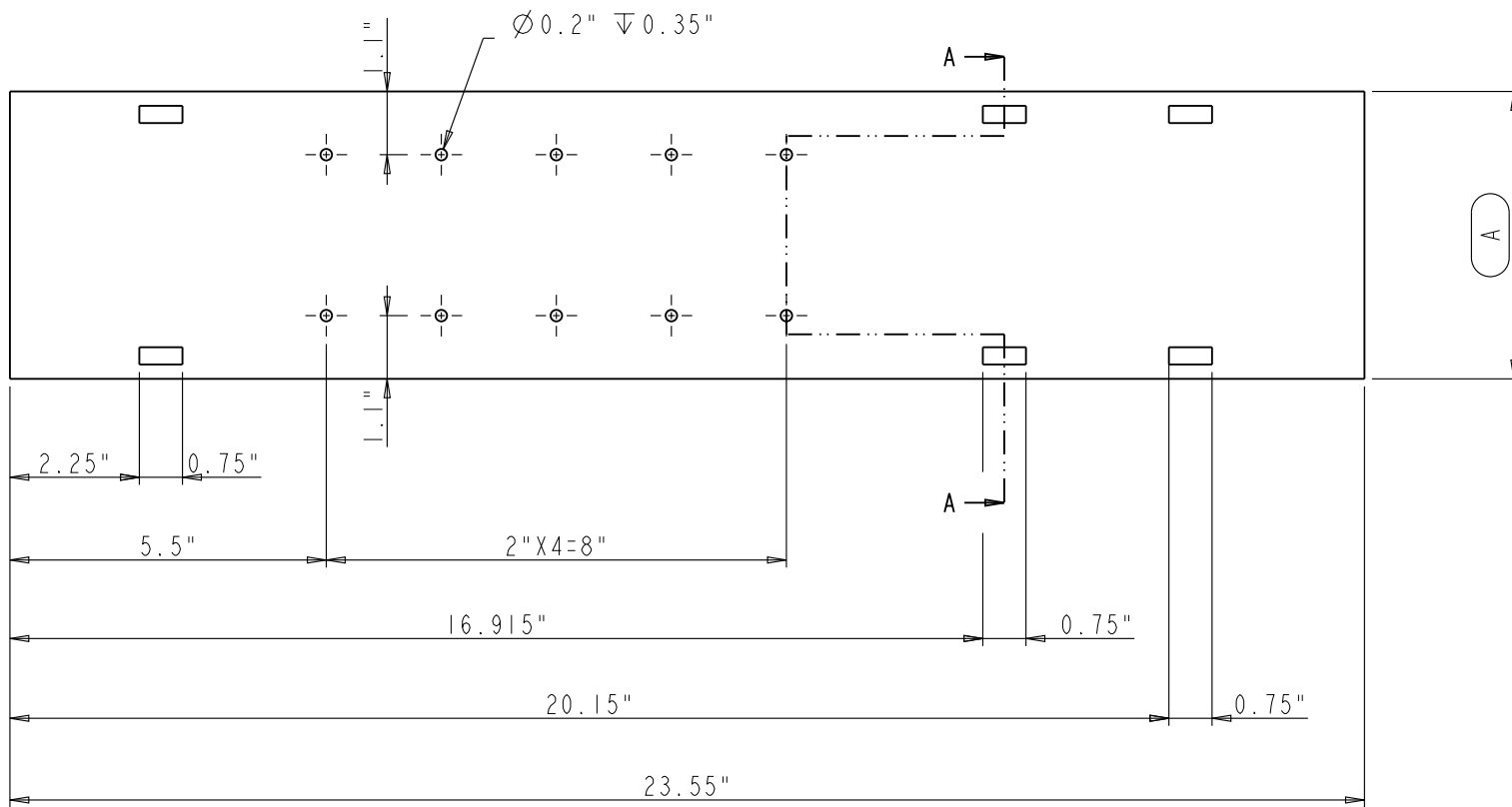
| | | | | |
|--|---|---|---------------------------|-------|
|  | ITEM#: PULLOUT-ASSY | | MATERIAL: | |
| | FINISH: | | WEIGHT: 9 | |
| <p>PROPRIETARY AND CONFIDENTIAL</p> <p>THE INFORMATION CONTAINED IN THIS DRAWING IS THE SOLE PROPERTY OF HARDWARE RESOURCES INC. ANY REPRODUCTION IN PART OR AS A WHOLE WITHOUT THE WRITTEN PERMISSION OF HARDWARE RESOURCES INC. IS PROHIBITED</p> | <p>TOLERANCE UNLESS OTHERWISE SPECIFIED:</p> <p>X : MM ±0.20</p> <p>X.X : MM ±0.10</p> <p>X.XX : MM ±0.05</p> <p>ANGULAR: ±0.5°</p> <p>DO NOT SCALE DRAWING</p> | UNIT: | DRAWN BY: <i>alan.liu</i> | DATE: |
| | | SIZE: | CHECKED BY: | DATE: |
| | | APPROVED BY: | | DATE: |
| | | PROJECTION:  | | |



SECTION A-A



| | | | | | |
|--|--|--|----------------|------------------------------|-------|
| | ITEM: PULLOUT-ASSY-5 | | MATERIAL: | | |
| | FINISH: | | WEIGHT: 9 | | |
| PROPRIETARY AND CONFIDENTIAL THE INFORMATION CONTAINED IN THIS DRAWING IS THE SOLE PROPERTY OF HARDWARE RESOURCES INC. ANY REPRODUCTION IN PART OR AS A WHOLE WITHOUT THE WRITTEN PERMISSION OF HARDWARE RESOURCES INC. IS PROHIBITED. | TOLERANCE UNLESS OTHERWISE SPECIFIED: X : MM ±0.20 X.X : MM ±0.10 X.XX : MM ±0.05 ANGULAR: ±0.5° DO NOT SCALE DRAWING | | UNIT: SIZE: | DRAWN BY: <i>alan.liu</i> | DATE: |
| | | | CHECKED BY: | DATE: | |
| | | | APPROVED BY: | DATE: | |
| | | | PROJECTION: | | |



SECTION A-A

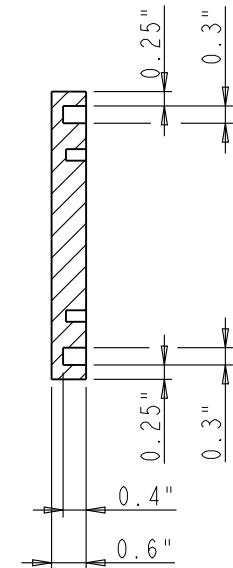
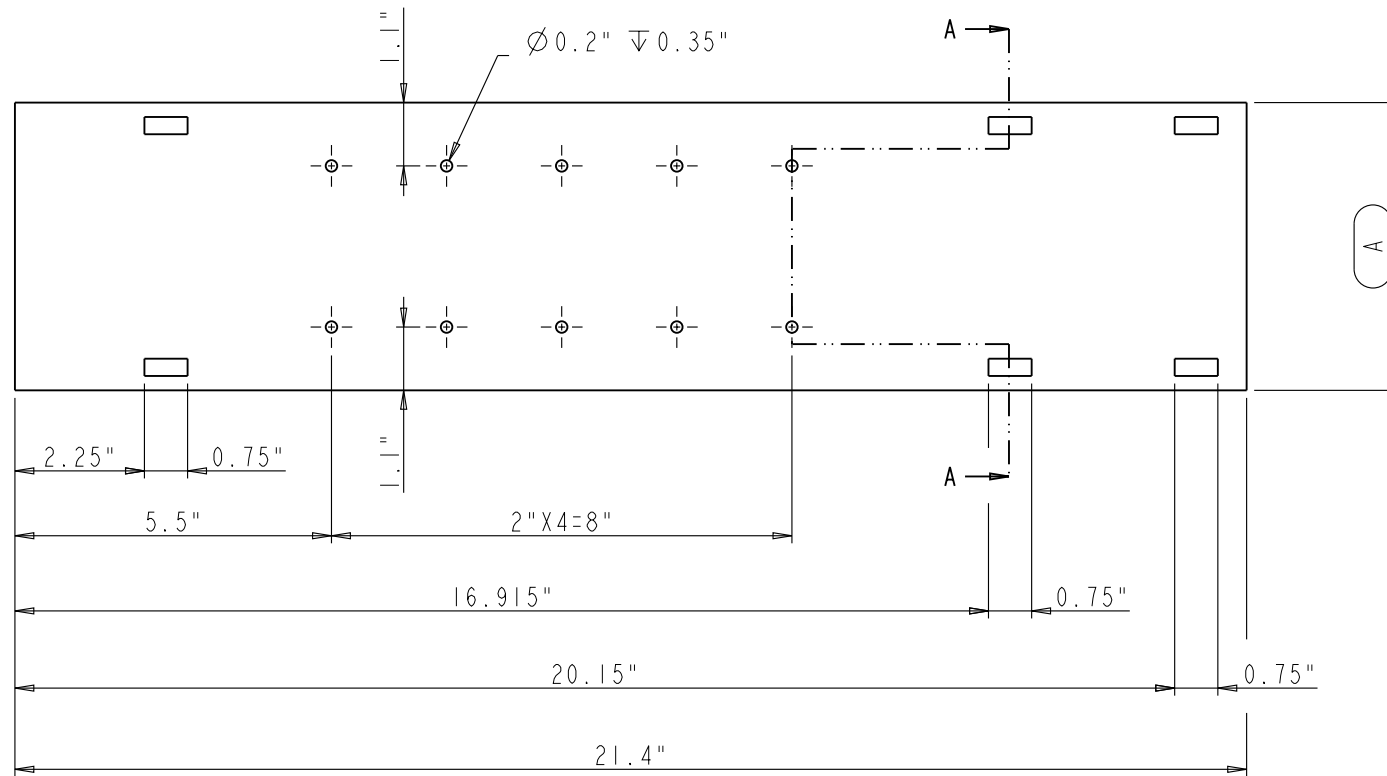
FACADE-BOARD-FRONT SPEC SHEET:

| Part Name | A |
|-----------------------|-----|
| FACADE-BOARD-FRONT-5 | 5" |
| FACADE-BOARD-FRONT-8 | 8" |
| FACADE-BOARD-FRONT-10 | 10" |

NOTE:

The dimension A of current FACADE-BOARD-FRONT is showing with red frame

| | | | | | |
|--|---------------------------------------|--------------------|-----------|-----------|----------|
| | ITEM: | FACADE-BOARD-FRONT | | MATERIAL: | PLY Wood |
| | FINISH: | | | WEIGHT: | g |
| PROPRIETARY AND CONFIDENTIAL THE INFORMATION CONTAINED IN THIS DRAWING IS THE SOLE PROPERTY OF HARDWARE RESOURCES INC. ANY REPRODUCTION IN PART OR AS A WHOLE WITHOUT THE WRITTEN PERMISSION OF HARDWARE RESOURCES INC. IS PROHIBITED. | TOLERANCE UNLESS OTHERWISE SPECIFIED: | UNIT: | DRAWN BY: | DATE: | |
| | X: MM ±0.20 | SIZE: | alan.liu | DATE: | |
| | X.X: MM ±0.10 | APPROVED BY: | | DATE: | |
| X.XX: MM ±0.05 | | | | | |
| ANGULAR: ±0.5° | | | | | |
| DO NOT SCALE DRAWING | | | | | |



SECTION A-A

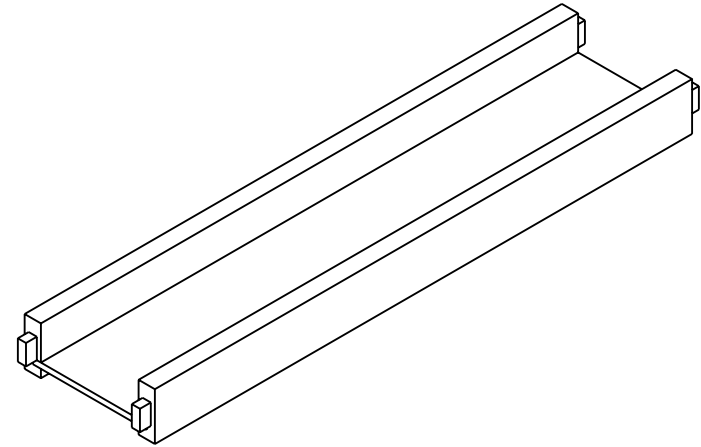
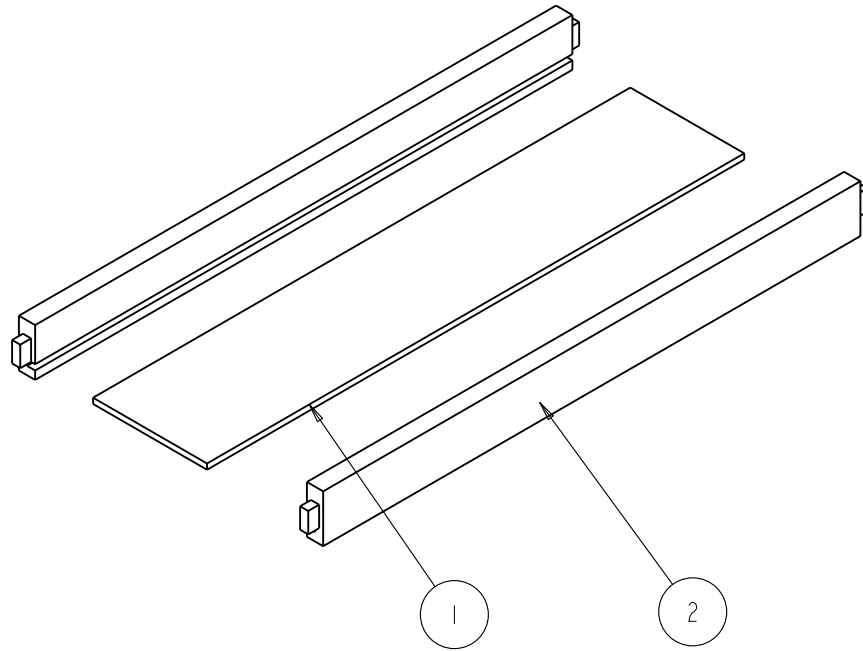
FACADE-BOARD-REAR SPEC SHEET:

| Part Name | A |
|----------------------|-----|
| FACADE-BOARD-REAR-5 | 5" |
| FACADE-BOARD-REAR-8 | 8" |
| FACADE-BOARD-REAR-10 | 10" |

NOTE:

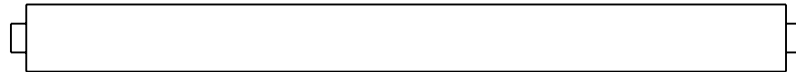
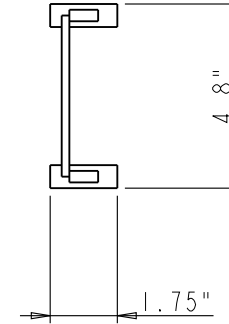
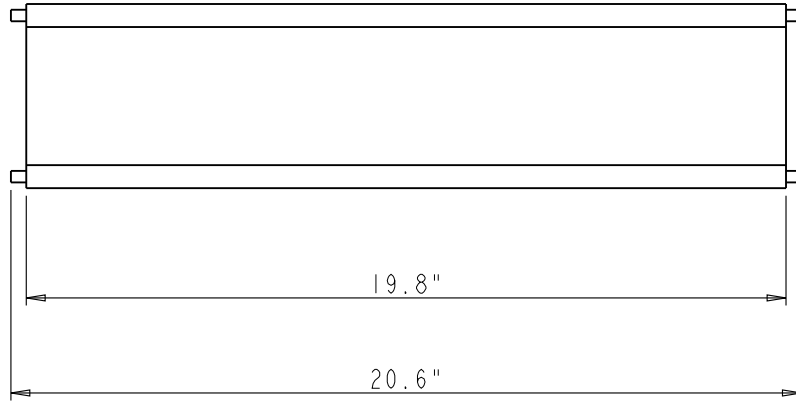
The dimension A of current BASE-BOARD-BTM is showing with red frame

| | | | | | | |
|--|---------------------------------------|-------------------|-----------|-----------|----------|--|
| | ITEM: | FACADE-BOARD-REAR | | MATERIAL: | PLY Wood | |
| | FINISH: | | | WEIGHT: | g | |
| PROPRIETARY AND CONFIDENTIAL THE INFORMATION CONTAINED IN THIS DRAWING IS THE SOLE PROPERTY OF HARDWARE RESOURCES INC. ANY REPRODUCTION IN PART OR AS A WHOLE WITHOUT THE WRITTEN PERMISSION OF HARDWARE RESOURCES INC. IS PROHIBITED. | TOLERANCE UNLESS OTHERWISE SPECIFIED: | UNIT: | DRAWN BY: | DATE: | | |
| | X : MM ±0.20 | SIZE: | | DATE: | | |
| | X.X : MM ±0.10 | | | DATE: | | |
| X.XX : MM ±0.05 | APPROVED BY: | DATE: | | DATE: | | |
| ANGULAR: ±0.5° | | | | | | |
| DO NOT SCALE DRAWING | | | | | | |

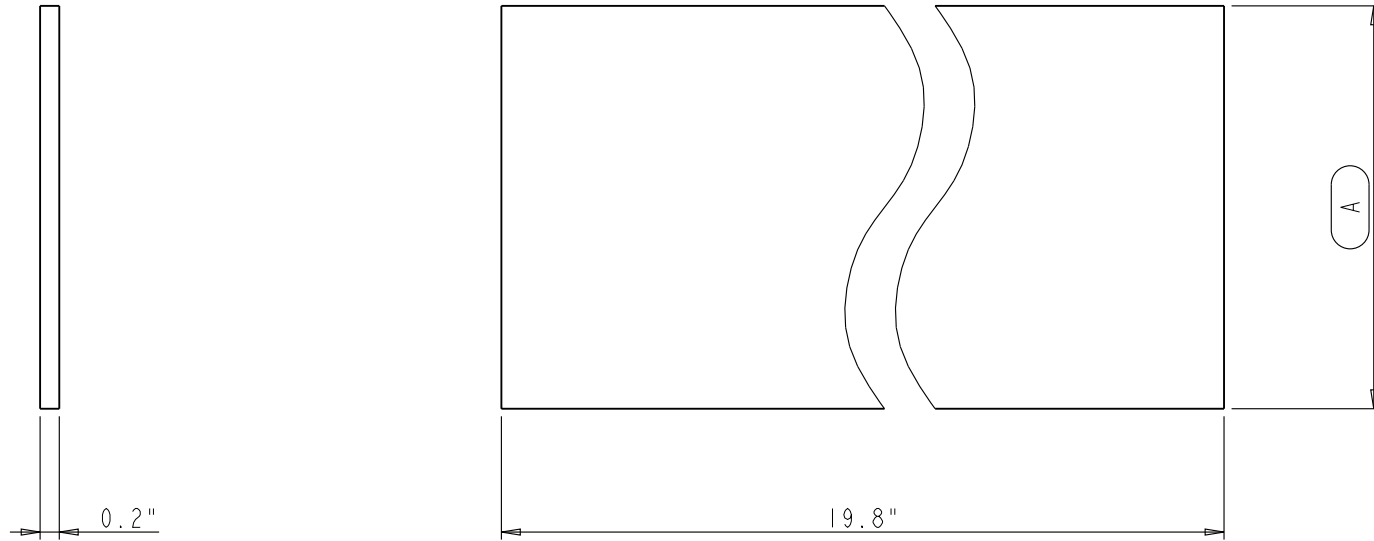


Bills of Material:

| 2 | SIDE-BOARD-FIXED-SHELF | PLY Wood | 2 | | | PART | 1 |
|---|------------------------|--------------------|--------------------|-----------|-------|------|------------|
| 1 | SHELF-BOARD-FIXED | PLY Wood | 1 | | | PART | 1 |
| NO. | ITEM# | MATERIAL | QTY | UNIT | TOTLE | TYPE | ASSY LEVEL |
| | | | | WEIGHT | | | |
| | | ITEM#: SHELF-FIXED | | MATERIAL: | | | |
| PROPRIETARY AND CONFIDENTIAL THE INFORMATION CONTAINED IN THIS DRAWING IS THE SOLE PROPERTY OF HARDWARE RESOURCES INC. ANY REPRODUCTION IN PART OR AS A WHOLE WITHOUT THE WRITTEN PERMISSION OF HARDWARE RESOURCES INC. IS PROHIBITED. | | FINISH: | | WEIGHT: 9 | | | |
| TOLERANCE UNLESS OTHERWISE SPECIFIED: X : MM ±0.20 X.X : MM ±0.10 X.XX : MM ±0.05 ANGULAR: ±0.5° DO NOT SCALE DRAWING | | UNIT: | DRAWN BY: alan.liu | | DATE: | | |
| SIZE: | | CHECKED BY: | | DATE: | | | |
| PAGE 00 | | APPROVED BY: | | DATE: | | | |



| | | | | | |
|--|--|--|----------------|------------------------------|-------|
| | ITEM#: SHELF-FIXED-5 | | MATERIAL: | | |
| | FINISH: | | WEIGHT: 9 | | |
| PROPRIETARY AND CONFIDENTIAL THE INFORMATION CONTAINED IN THIS DRAWING IS THE SOLE PROPERTY OF HARDWARE RESOURCES INC. ANY REPRODUCTION IN PART OR AS A WHOLE WITHOUT THE WRITTEN PERMISSION OF HARDWARE RESOURCES INC. IS PROHIBITED. | TOLERANCE UNLESS OTHERWISE SPECIFIED: X : MM ±0.20 X.X : MM ±0.10 X.XX : MM ±0.05 ANGULAR: ±0.5° DO NOT SCALE DRAWING | | UNIT: SIZE: | DRAWN BY: <i>alan.liu</i> | DATE: |
| | | | | CHECKED BY: | DATE: |
| | | | | APPROVED BY: | DATE: |
| | | | | | |



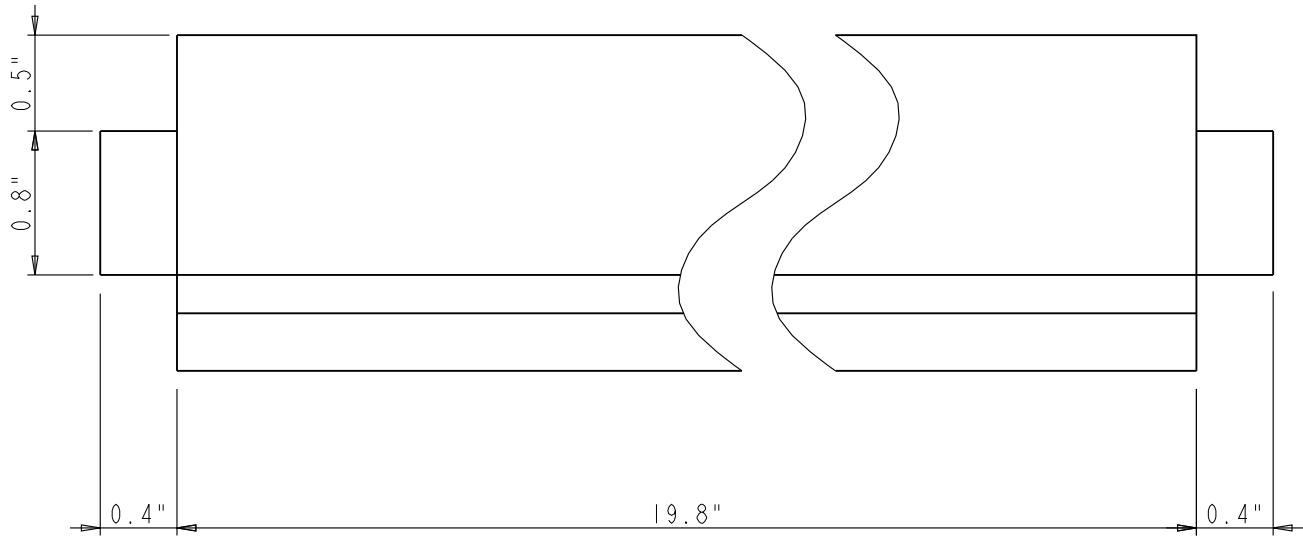
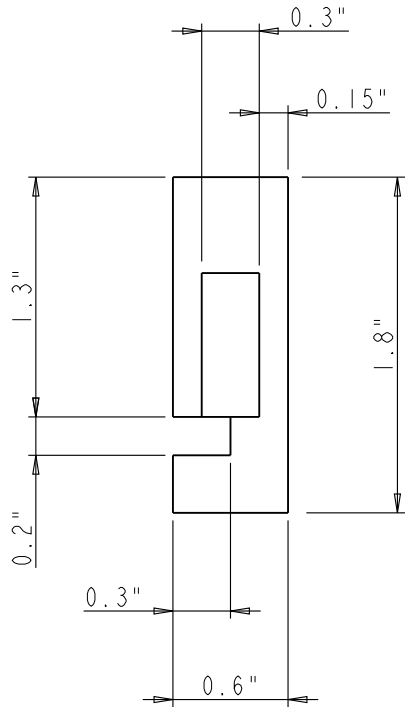
SHELF-BOARD-FIXED SPEC SHEET:

| Part Name | A |
|----------------------|------|
| SHELF-BOARD-FIXED-5 | 4.2" |
| SHELF-BOARD-FIXED-8 | 7.2" |
| SHELF-BOARD-FIXED-10 | 9.2" |

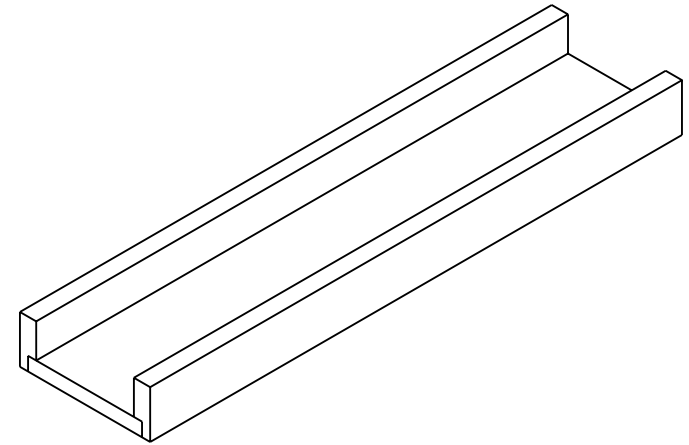
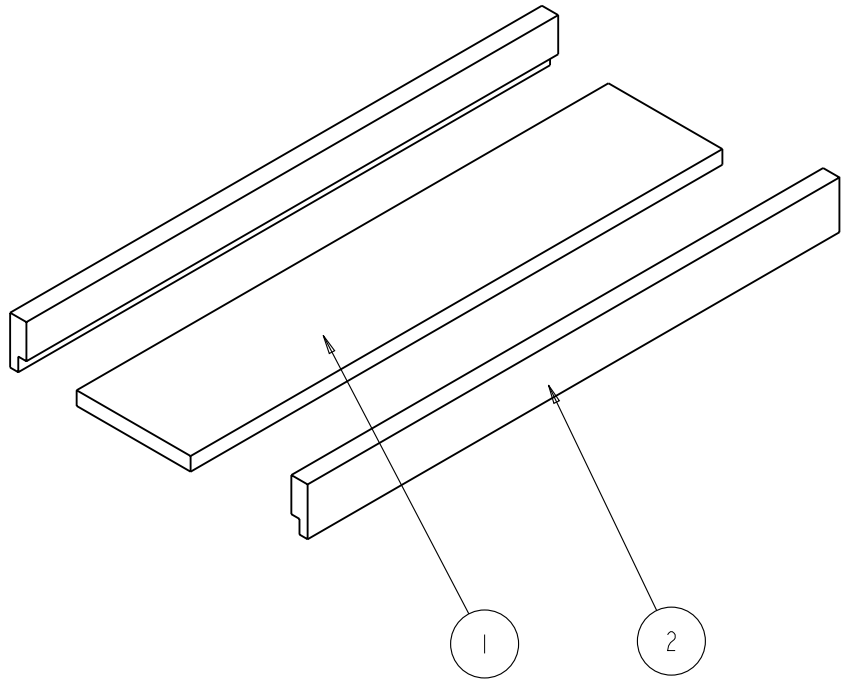
NOTE:

The dimension A of current SHELF-BOARD-FIXED is showing with red frame


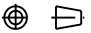
| | | | | | |
|---|--|-------------|--------------------|---------------------------|-------|
| | ITEM#: SHELF-BOARD-FIXED | | MATERIAL: PLY Wood | | |
| | FINISH: | | WEIGHT: 9 | | |
| PROPRIETARY AND CONFIDENTIAL THE INFORMATION CONTAINED IN THIS DRAWING IS THE SOLE PROPERTY OF HARDWARE RESOURCES INC. ANY REPRODUCTION IN PART OR AS A WHOLE WITHOUT THE WRITTEN PERMISSION OF HARDWARE RESOURCES INC. IS PROHIBITED | TOLERANCE UNLESS OTHERWISE SPECIFIED: X : MM ±0.20 X.X : MM ±0.10 X.XX : MM ±0.05 ANGULAR: ±0.5° DO NOT SCALE DRAWING | | UNIT: | DRAWN BY: <i>alan.liu</i> | DATE: |
| | SIZE: | CHECKED BY: | DATE: | | |
| | APPROVED BY: | | DATE: | | |
| | PROJECTION: | | | | |

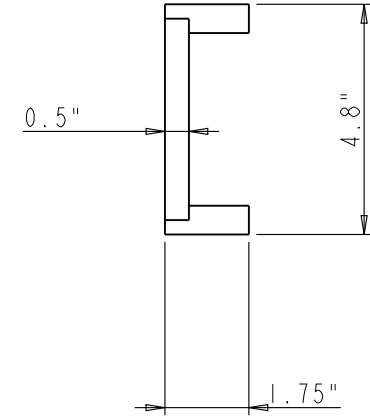
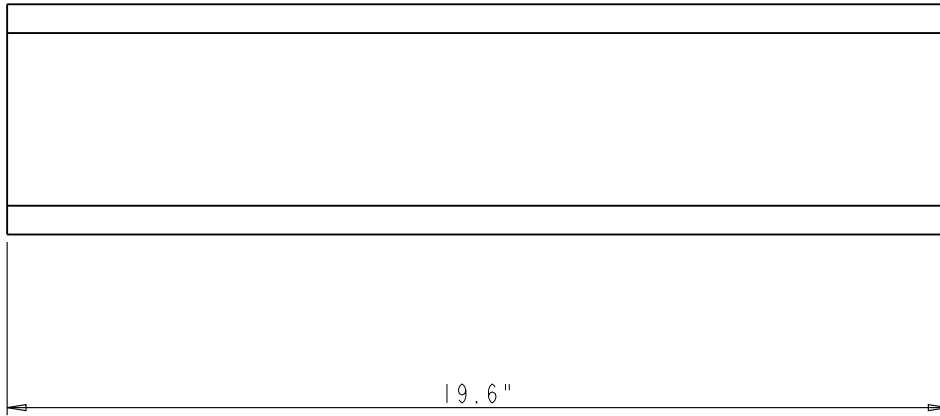



| | | | | | |
|--|--|-------------|--------------------|---------------------------|-------|
| | ITEM: SIDE-BOARD-FIXED-SHELF | | MATERIAL: PLY Wood | | |
| | FINISH: | | WEIGHT: 9 | | |
| PROPRIETARY AND CONFIDENTIAL THE INFORMATION CONTAINED IN THIS DRAWING IS THE SOLE PROPERTY OF HARDWARE RESOURCES INC. ANY REPRODUCTION IN PART OR AS A WHOLE WITHOUT THE WRITTEN PERMISSION OF HARDWARE RESOURCES INC. IS PROHIBITED. | TOLERANCE UNLESS OTHERWISE SPECIFIED: X : MM ±0.20 X.X : MM ±0.10 X.XX : MM ±0.05 ANGULAR: ±0.5° DO NOT SCALE DRAWING | | UNIT: | DRAWN BY: <i>alan.liu</i> | DATE: |
| | SIZE: | CHECKED BY: | DATE: | | |
| | APPROVED BY: | | DATE: | | |
| | PROJECTION: | | DATE: | | |

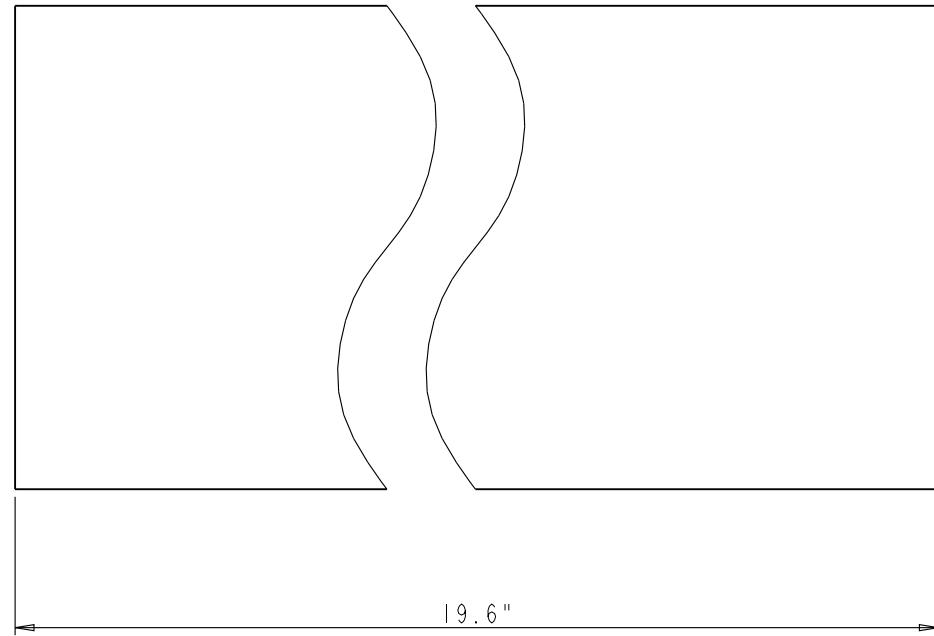
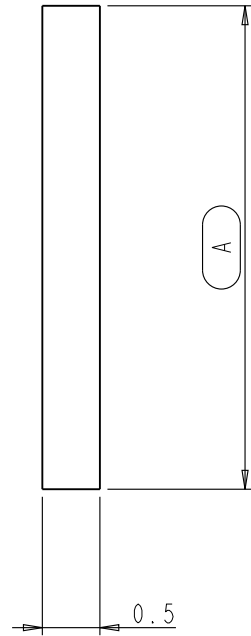


Bills of Material:

| 2 | SIDE-BOARD-ADJUSTABLE-SHELF | PLY Wood | 2 | | | PART | 1 |
|---|-----------------------------|-------------------------|---------------------------|---|-----------|------|------------|
| 1 | SHELF-BOARD-ADJUSTABLE | PLY Wood | 1 | | | PART | 1 |
| NO. | ITEM# | MATERIAL | QTY | UNIT | TOTLE | TYPE | ASSY LEVEL |
| | | | | WEIGHT | | | |
|  | | ITEM#: SHELF-ADJUSTABLE | | | MATERIAL: | | |
| PROPRIETARY AND CONFIDENTIAL THE INFORMATION CONTAINED IN THIS DRAWING IS THE SOLE PROPERTY OF HARDWARE RESOURCES INC. ANY REPRODUCTION IN PART OR AS A WHOLE WITHOUT THE WRITTEN PERMISSION OF HARDWARE RESOURCES INC. IS PROHIBITED. | | FINISH: | | | WEIGHT: 9 | | |
| TOLERANCE UNLESS OTHERWISE SPECIFIED: X: MM ±0.20 X.X: MM ±0.10 X.XX: MM ±0.05 ANGULAR: ±0.5° DO NOT SCALE DRAWING | | UNIT: | DRAWN BY: <i>alan.liu</i> | | DATE: | | |
| | | SIZE: | CHECKED BY: | | DATE: | | |
| | | APPROVED BY: | | DATE: | | | |
| | | PROJECTION: | |  | | | |



| | | | | | |
|--|--|--|----------------|------------------------------|-------|
|  | ITEM#: SHELF - ADJUSTABLE - 5 | | MATERIAL: | | |
| | FINISH: | | WEIGHT: 9 | | |
| PROPRIETARY AND CONFIDENTIAL THE INFORMATION CONTAINED IN THIS DRAWING IS THE SOLE PROPERTY OF HARDWARE RESOURCES INC. ANY REPRODUCTION IN PART OR AS A WHOLE WITHOUT THE WRITTEN PERMISSION OF HARDWARE RESOURCES INC. IS PROHIBITED. | TOLERANCE UNLESS OTHERWISE SPECIFIED: X : MM ±0.20 X.X : MM ±0.10 X.XX : MM ±0.05 ANGULAR: ±0.5° DO NOT SCALE DRAWING | | UNIT: SIZE: | DRAWN BY: <i>alan.liu</i> | DATE: |
| | | | CHECKED BY: | DATE: | |
| | | | APPROVED BY: | DATE: | |
| | | | | | |



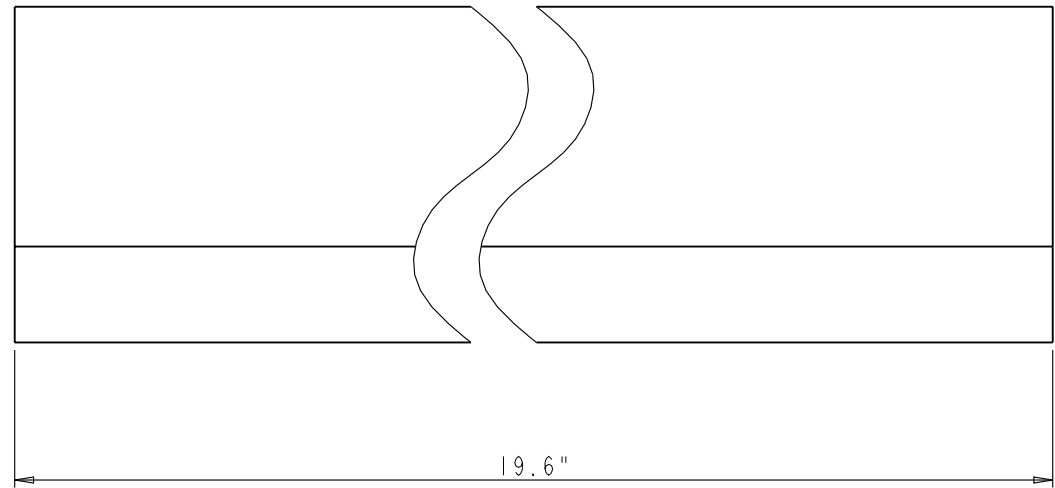
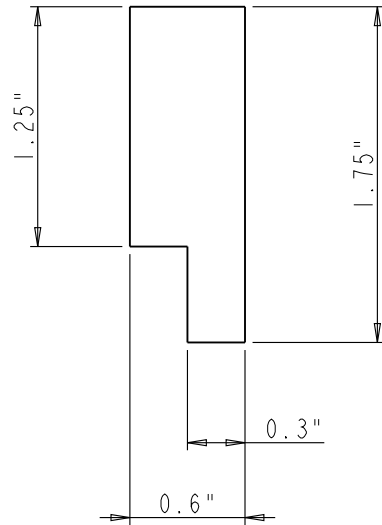
SHELF-BOARD-ADJUSTABLE SPEC SHEET:

| Part Name | A |
|----------------------------|------|
| SHELF-BOARD-ADJUSTABLE-5" | 4.2" |
| SHELF-BOARD-ADJUSTABLE-8" | 7.2" |
| SHELF-BOARD-ADJUSTABLE-10" | 9.2" |

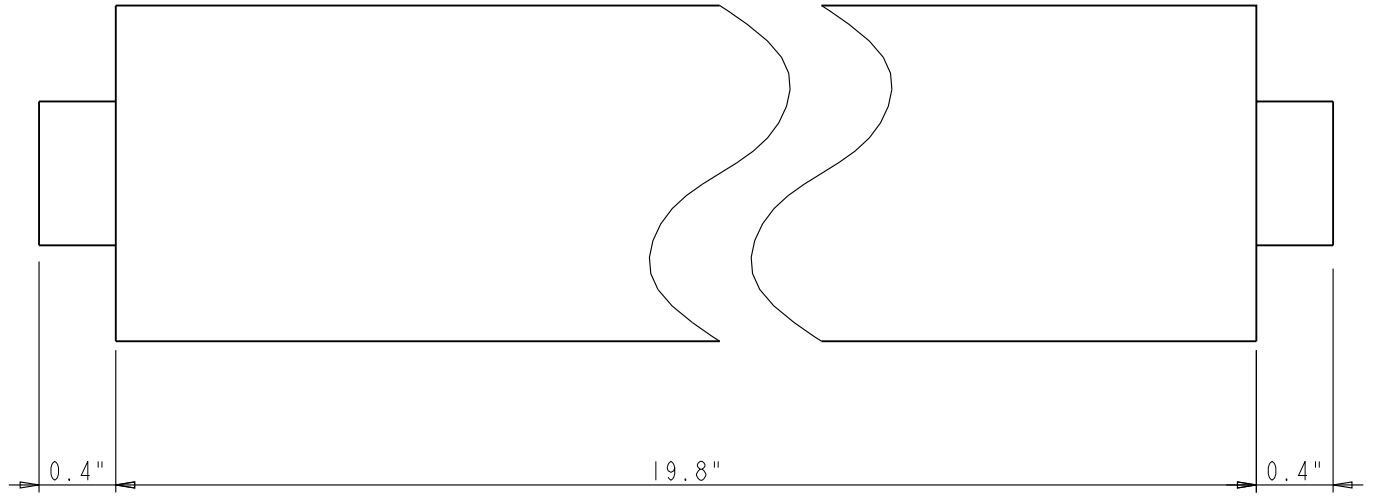
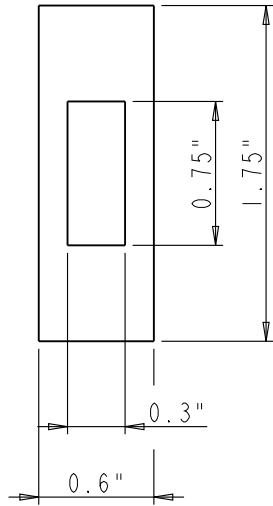
NOTE:


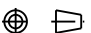
The dimension A of current SHELF-BOARD-ADJUSTABLE is showing with red frame

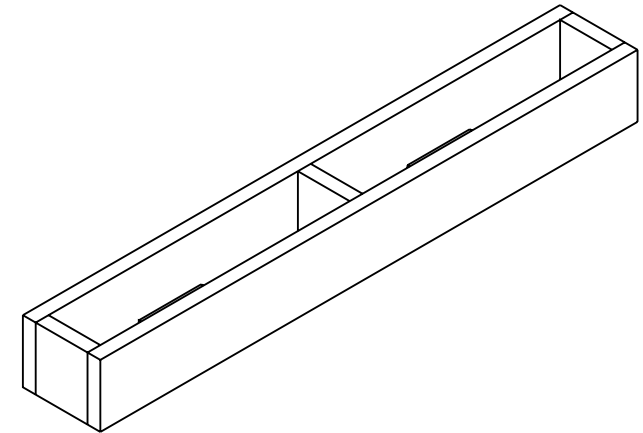
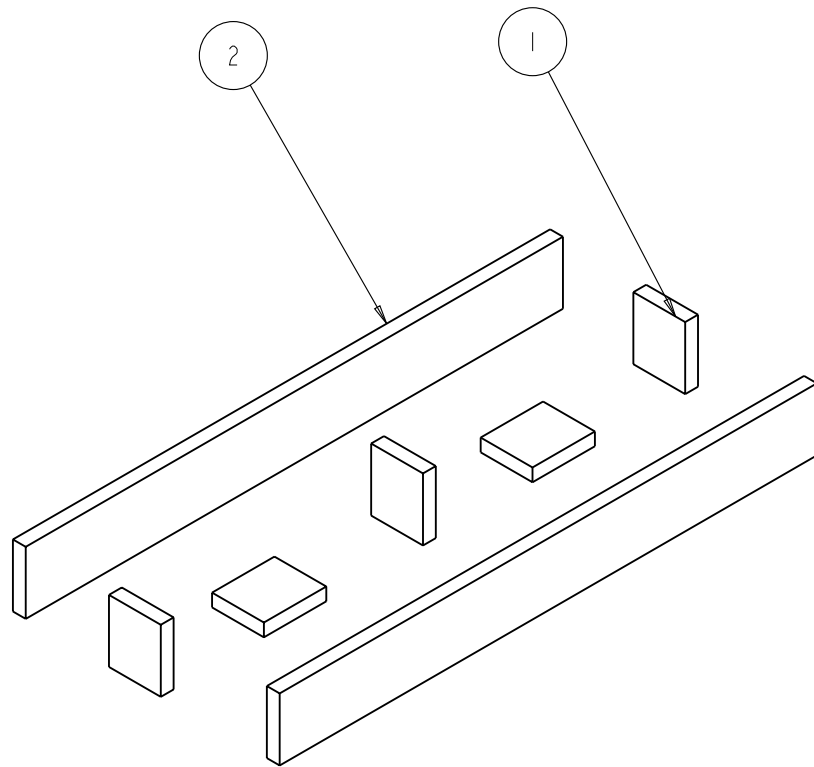
| | | | | | |
|--|--|-------------|--------------------|---------------------------|-------|
| | ITEM#: SHELF-BOARD-ADJUSTABLE | | MATERIAL: PLY Wood | | |
| | FINISH: | | WEIGHT: 9 | | |
| PROPRIETARY AND CONFIDENTIAL THE INFORMATION CONTAINED IN THIS DRAWING IS THE SOLE PROPERTY OF HARDWARE RESOURCES INC. ANY REPRODUCTION IN PART OR AS A WHOLE WITHOUT THE WRITTEN PERMISSION OF HARDWARE RESOURCES INC. IS PROHIBITED. | TOLERANCE UNLESS OTHERWISE SPECIFIED: X : MM ±0.20 X.X : MM ±0.10 X.XX : MM ±0.05 ANGULAR: ±0.5° DO NOT SCALE DRAWING | | UNIT: | DRAWN BY: <i>alan.liu</i> | DATE: |
| | SIZE: | CHECKED BY: | DATE: | | |
| | APPROVED BY: | | DATE: | | |
| | PROJECTION: | | | | |




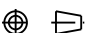
| | | | | | |
|--|--|--------------------|------------------------------|------------------------------|--------------|
| | ITEM: SIDE-BOARD-ADJUSTABLE-SHELF | | MATERIAL: PLY Wood | | |
| | FINISH: | | WEIGHT: g | | |
| PROPRIETARY AND CONFIDENTIAL THE INFORMATION CONTAINED IN THIS DRAWING IS THE SOLE PROPERTY OF HARDWARE RESOURCES INC. ANY REPRODUCTION IN PART OR AS A WHOLE WITHOUT THE WRITTEN PERMISSION OF HARDWARE RESOURCES INC. IS PROHIBITED. | TOLERANCE UNLESS OTHERWISE SPECIFIED: X : MM ±0.20 X.X : MM ±0.10 X.XX : MM ±0.05 ANGULAR : ±0.5° DO NOT SCALE DRAWING | | UNIT: | DRAWN BY: alan.liu | DATE: |
| | SIZE: | CHECKED BY: | APPROVED BY: | | DATE: |
| | PROJECTION: | | DATE: | | |
| | | | | | |

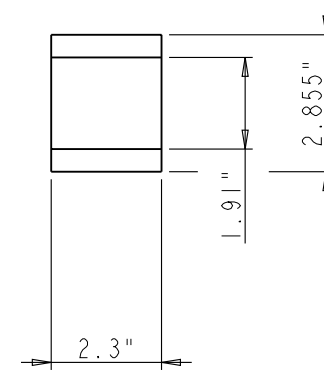
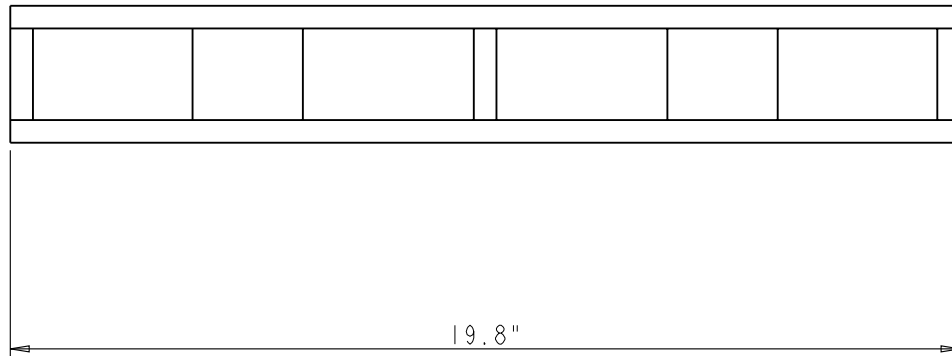



| | | | | | |
|--|--|-------------|--------------------|------------------------------|-------|
|  | ITEM: SIDE-BOARD-SUPPORT | | MATERIAL: PLY Wood | | |
| | FINISH: | | WEIGHT: 9 | | |
| PROPRIETARY AND CONFIDENTIAL THE INFORMATION CONTAINED IN THIS DRAWING IS THE SOLE PROPERTY OF HARDWARE RESOURCES INC. ANY REPRODUCTION IN PART OR AS A WHOLE WITHOUT THE WRITTEN PERMISSION OF HARDWARE RESOURCES INC. IS PROHIBITED. | TOLERANCE UNLESS OTHERWISE SPECIFIED: X : MM ±0.20 X.X : MM ±0.10 X.XX : MM ±0.05 ANGULAR: ±0.5° DO NOT SCALE DRAWING | | UNIT: | DRAWN BY: <i>alan.liu</i> | DATE: |
| | SIZE: | CHECKED BY: | DATE: | | |
| | APPROVED BY: | | DATE: | | |
| | PROJECTION:  | | | | |

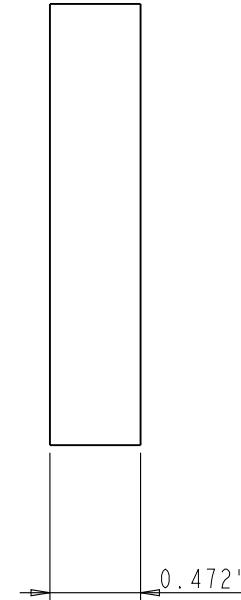
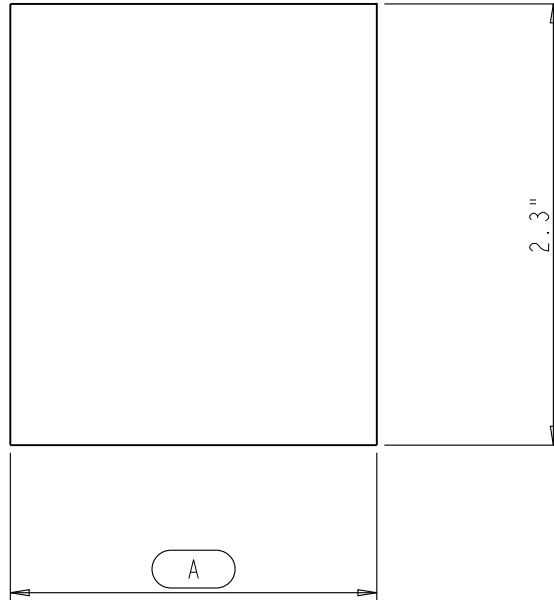


Bills of Material:

| 2 | SLIDER-MOUNT-BOARD-PULLOUT | PLY Wood | 2 | | | PART | 1 | |
|--|----------------------------|--|-----|----------------|-------|---|------------|-------------------------|
| 1 | STRENGTHEN-BOARD | PLY Wood | 5 | | | PART | 1 | |
| NO. | ITEM# | MATERIAL | QTY | UNIT | TOTLE | TYPE | ASSY LEVEL | |
| | | | | WEIGHT | | | | |
|  | | ITEM# | | MATERIAL: | | | | |
| PROPRIETARY AND CONFIDENTIAL THE INFORMATION CONTAINED IN THIS DRAWING IS THE SOLE PROPERTY OF HARDWARE RESOURCES INC. ANY REPRODUCTION IN PART OR AS A WHOLE WITHOUT THE WRITTEN PERMISSION OF HARDWARE RESOURCES INC. IS PROHIBITED | | BOTTOM | | WEIGHT: | | g | | |
| | | FINISH: | | PROJECTION: | |  | | |
| | | TOLERANCE UNLESS OTHERWISE SPECIFIED: X : MM ±0.20 X.X : MM ±0.10 X.XX : MM ±0.05 ANGULAR: ±0.5° DO NOT SCALE DRAWING | | UNIT: SIZE: | | DRAWN BY: <i>alan.liu</i> CHECKED BY: APPROVED BY: | | DATE: DATE: DATE: |



| | | | | | |
|--|--|--|----------------|------------------------------|-------|
|  | ITEM: BOTTOM-5 | | MATERIAL: | | |
| | FINISH: | | WEIGHT: 9 | | |
| PROPRIETARY AND CONFIDENTIAL THE INFORMATION CONTAINED IN THIS DRAWING IS THE SOLE PROPERTY OF HARDWARE RESOURCES INC. ANY REPRODUCTION IN PART OR AS A WHOLE WITHOUT THE WRITTEN PERMISSION OF HARDWARE RESOURCES INC. IS PROHIBITED. | TOLERANCE UNLESS OTHERWISE SPECIFIED: X : MM ±0.20 X.X : MM ±0.10 X.XX : MM ±0.05 ANGULAR: ±0.5° DO NOT SCALE DRAWING | | UNIT: SIZE: | DRAWN BY: <i>alan.liu</i> | DATE: |
| | | | | CHECKED BY: | DATE: |
| | | | | APPROVED BY: | DATE: |
| | | | | | |



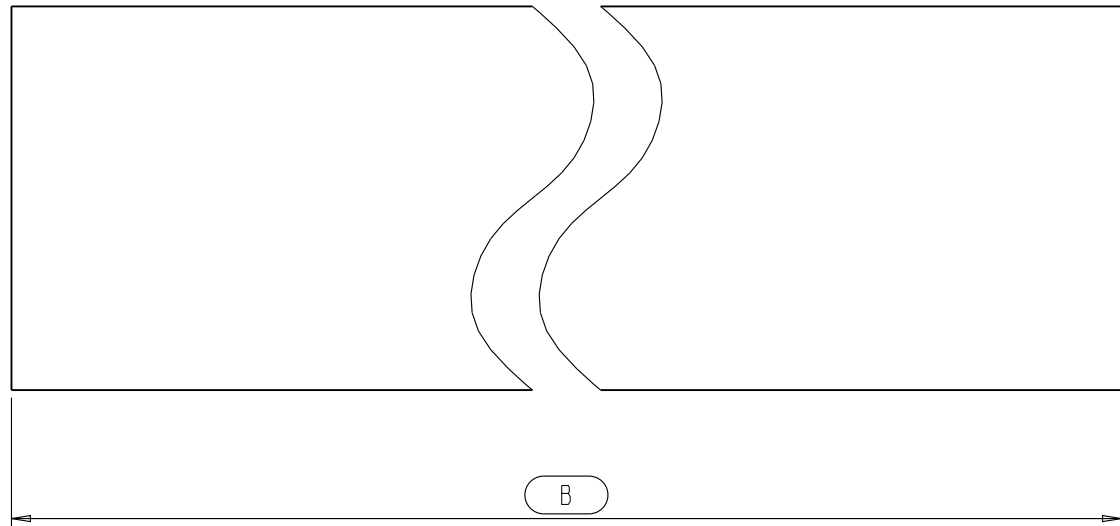
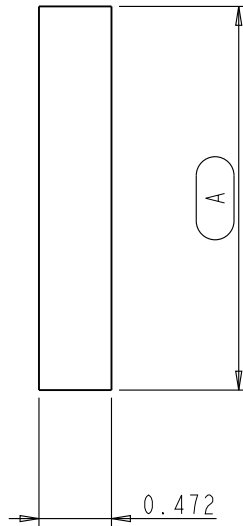
STRENGTHEN-BOARD SPEC SHEET:

| Part Name | A |
|----------------------|-------|
| STRENGTHEN-BOARD-5" | 1.91" |
| STRENGTHEN-BOARD-8" | 4.91" |
| STRENGTHEN-BOARD-10" | 6.91" |

NOTE:

The dimension A of current STRENGTHEN-BOARD is showing with red frame

| | | | | | |
|---|--|--|--------------------|------------------------------|-------|
| hardware resources | ITEM#: STRENGTHEN-BOARD | | MATERIAL: PLY Wood | | |
| | FINISH: | | WEIGHT: g | | |
| PROPRIETARY AND CONFIDENTIAL THE INFORMATION CONTAINED IN THIS DRAWING IS THE SOLE PROPERTY OF HARDWARE RESOURCES INC. ANY REPRODUCTION IN PART OR AS A WHOLE WITHOUT THE WRITTEN PERMISSION OF HARDWARE RESOURCES INC. IS PROHIBITED | TOLERANCE UNLESS OTHERWISE SPECIFIED: X : MM ±0.20 X.X : MM ±0.10 X.XX : MM ±0.05 ANGULAR: ±0.5° DO NOT SCALE DRAWING | | UNIT: SIZE: | DRAWN BY: <i>alan.liu</i> | DATE: |
| | | | CHECKED BY: | DATE: | |
| | | | APPROVED BY: | DATE: | |
| | | | PROJECTION: | | |



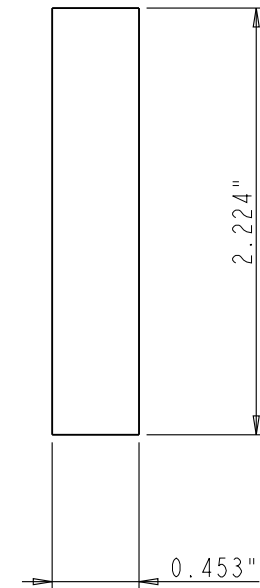
SLIDER-MOUNT-BOARD SPEC SHEET:

| Part Name | A | B |
|----------------------------|------|---------|
| SLIDER-MOUNT-BOARD-BASE | 2.5" | 20.399" |
| SLIDER-MOUNT-BOARD-PULLOUT | 2.3" | 19.8" |

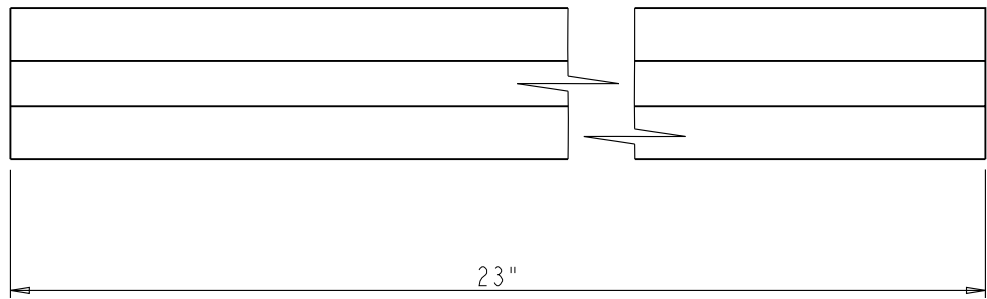
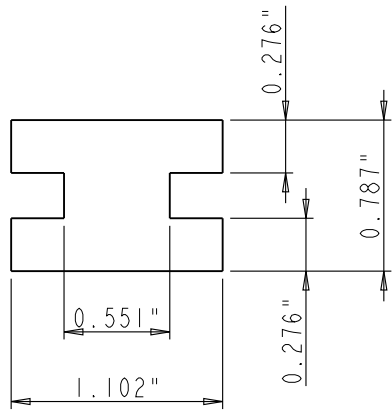
NOTE:

The dimension A & B of current SLIDER-MOUNT-BOARD is showing with red frame

| | | | | | |
|---|--|-------------|--------------------|------------------------------|-------|
| | ITEM#: SLIDER-MOUNT-BOARD | | MATERIAL: PLY Wood | | |
| | FINISH: | | WEIGHT: 9 | | |
| PROPRIETARY AND CONFIDENTIAL THE INFORMATION CONTAINED IN THIS DRAWING IS THE SOLE PROPERTY OF HARDWARE RESOURCES INC. ANY REPRODUCTION IN PART OR AS A WHOLE WITHOUT THE WRITTEN PERMISSION OF HARDWARE RESOURCES INC. IS PROHIBITED | TOLERANCE UNLESS OTHERWISE SPECIFIED: X : MM ±0.20 X.X : MM ±0.10 X.XX : MM ±0.05 ANGULAR: ±0.5° DO NOT SCALE DRAWING | | UNIT: | DRAWN BY: <i>alan.liu</i> | DATE: |
| | SIZE: | CHECKED BY: | DATE: | | |
| | APPROVED BY: | | DATE: | | |
| | PROJECTION: | | | | |



| | | | | | |
|--|--|--|--------------------|------------------------------|-------|
| | ITEM#: HOLDER-MOUNT | | MATERIAL: PLY Wood | | |
| | FINISH: | | WEIGHT: 9 | | |
| PROPRIETARY AND CONFIDENTIAL THE INFORMATION CONTAINED IN THIS DRAWING IS THE SOLE PROPERTY OF HARDWARE RESOURCES INC. ANY REPRODUCTION IN PART OR AS A WHOLE WITHOUT THE WRITTEN PERMISSION OF HARDWARE RESOURCES INC. IS PROHIBITED. | TOLERANCE UNLESS OTHERWISE SPECIFIED: X : MM ±0.20 X.X : MM ±0.10 X.XX : MM ±0.05 ANGULAR: ±0.5° DO NOT SCALE DRAWING | | UNIT: SIZE: | DRAWN BY: <i>alan.liu</i> | DATE: |
| | | | | CHECKED BY: | DATE: |
| | | | | APPROVED BY: | DATE: |
| | | | | | |



| | | | | | |
|--|--|-------------|--------------|---------------------------|-------|
| | ITEM#: RAIL | | MATERIAL: RW | | |
| | FINISH: | | WEIGHT: 9 | | |
| PROPRIETARY AND CONFIDENTIAL THE INFORMATION CONTAINED IN THIS DRAWING IS THE SOLE PROPERTY OF HARDWARE RESOURCES INC. ANY REPRODUCTION IN PART OR AS A WHOLE WITHOUT THE WRITTEN PERMISSION OF HARDWARE RESOURCES INC. IS PROHIBITED. | TOLERANCE UNLESS OTHERWISE SPECIFIED: X : MM ±0.20 X.X : MM ±0.10 X.XX : MM ±0.05 ANGULAR: ±0.5° DO NOT SCALE DRAWING | | UNIT: | DRAWN BY: <i>alan.liu</i> | DATE: |
| | SIZE: | CHECKED BY: | DATE: | | |
| | APPROVED BY: | | DATE: | | |
| | PROJECTION: | | | | |