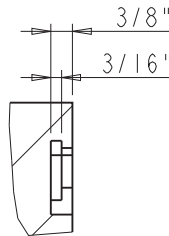
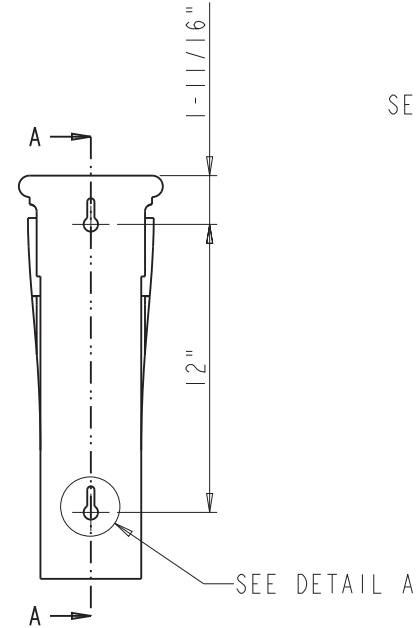


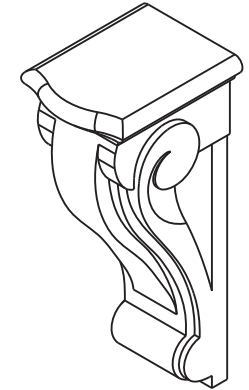
DETAIL A
SCALE 3:10



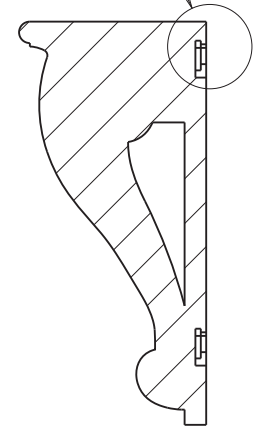
DETAIL B
SCALE 3:10



SEE DETAIL A



SEE DETAIL B



SECTION A-A

	ITEM:	COR30-3		MATERIAL:	
	FINISH:			WEIGHT: 0.000 g	
PROPRIETARY AND CONFIDENTIAL THE INFORMATION CONTAINED IN THIS DRAWING IS THE SOLE PROPERTY OF HARDWARE RESOURCES INC. ANY REPRODUCTION IN PART OR AS A WHOLE WITHOUT THE WRITTEN PERMISSION OF HARDWARE RESOURCES INC. IS PROHIBITED.	TOLERANCE UNLESS OTHERWISE SPECIFIED: X ±0.20 XX ±0.10 XXX ±0.05 ANGULAR: ±0.5°		UNITS: A4 SHEET: 1 OF 1	DRAWN BY: <i>Krupa cat</i> APPROVED BY: RELEASE LEVEL: REVISION:	DATE: 09/16/14 DATE: