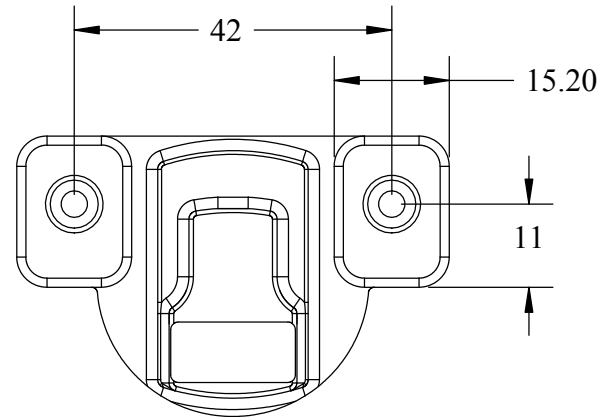
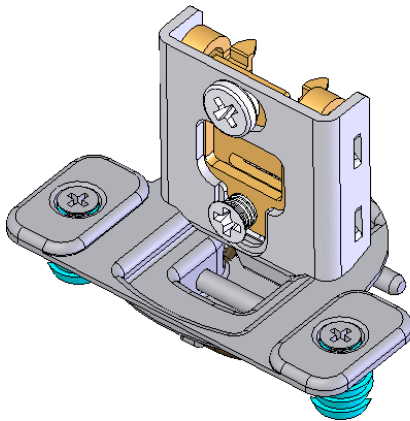


Note:  
 Only the cup has changed. Rest all  
 remains the same as that of 3390-2-000



Hardware  
**HR**  
 Resources

HARDWARE RESOURCES  
 4319 MARLENA ST, BOSSIER CITY, LA71111

TOLERANCES

OVER ALL LENGTH  $\pm 0.1\text{MM}$   
 ANGLES  $\pm 0^\circ 30'$

PART NAME: 1/2" Overlay Compact Hinge w/ G Pattern

ITEM NO: 3390-4-000

REV:

MATERIAL:

DATE: 8/1/2006

SHEET: 1 / 1

BY: UBN

PLATING: