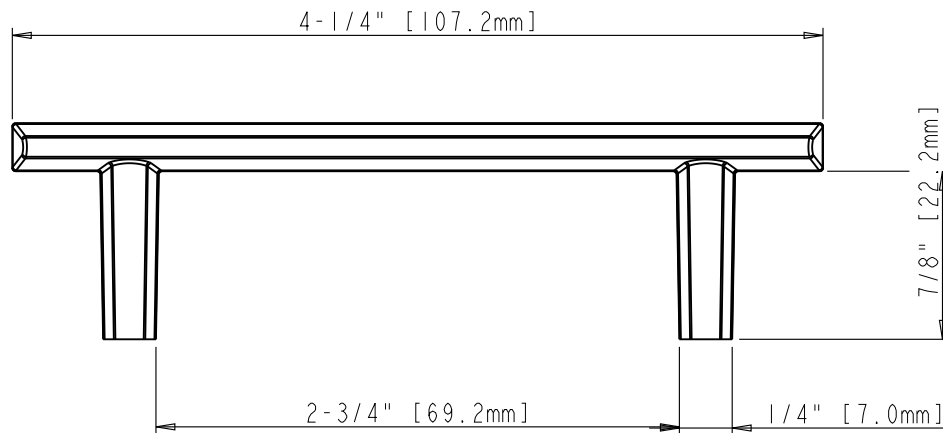


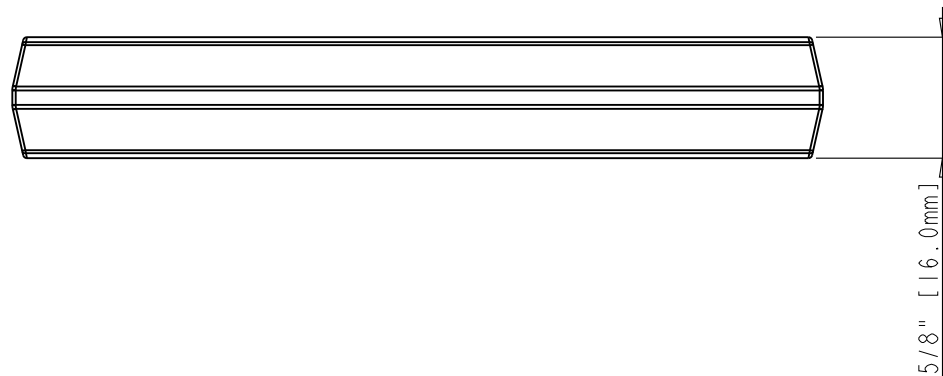
3" [76.2mm] CC



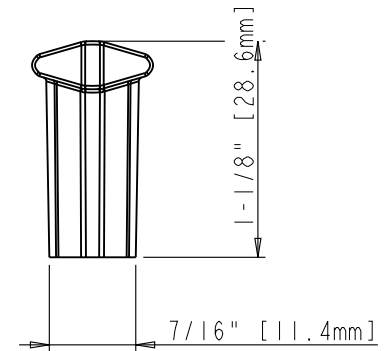
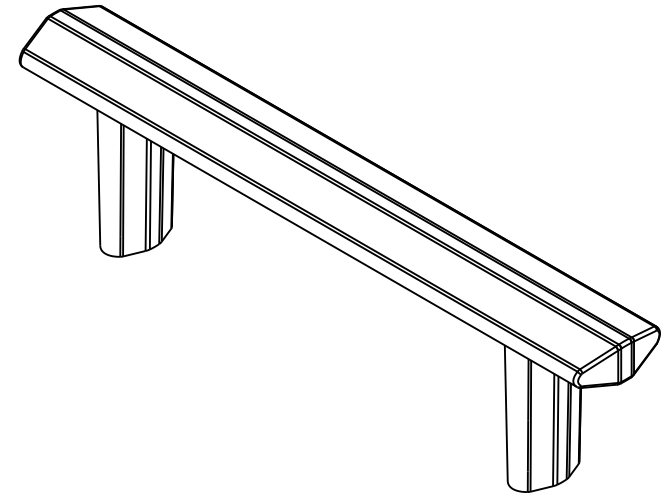
2-3/4" [69.2mm]

1/4" [7.0mm]

7/8" [22.2mm]



5/8" [16.0mm]



7/16" [11.4mm]

ACCESSORY:

SCREW: 8-32X1" 2 PCS

BREAK AWAY SCREW: 8-32x45 2 PCS

ALL SCREW MATERIAL: STEEL-SAE1006

| | | | | | |
|---|---------------------------------------|--------|----------------|-----------|---------------------|
| | ITEM: | 641-3 | | MATERIAL: | Zinc |
| | FINISH: | | | WEIGHT: | 66.6 Gram/0.147 LBS |
| <p>PROPRIETARY AND CONFIDENTIAL</p> <p>THE INFORMATION CONTAINED IN THIS DRAWING IS THE SOLE PROPERTY OF HARDWARE RESOURCES INC. ANY REPRODUCTION IN PART OR AS A WHOLE WITHOUT THE WRITTEN PERMISSION OF HARDWARE RESOURCES INC. IS PROHIBITED.</p> | TOLERANCE UNLESS OTHERWISE SPECIFIED: | UNITS: | DRAWN BY: | DATE: | |
| | SIZE: | | APPROVED BY: | DATE: | |
| | ANGULAR: ±0.5° | | RELEASE LEVEL: | REVISION: | |
| | DO NOT SCALE DRAWING | | | | |