



bath ELEMENTS

Vanity Specifications

VAN040D-14E & VAN040D-25E

Vanity: 72" x 22" x 35"

Materials: MDF

Full extension ball bearing drawer slides

Top: 74-1/4" x 23-1/8" x 2cm

***Top and bowls are preinstalled**

Material: 2cm black granite

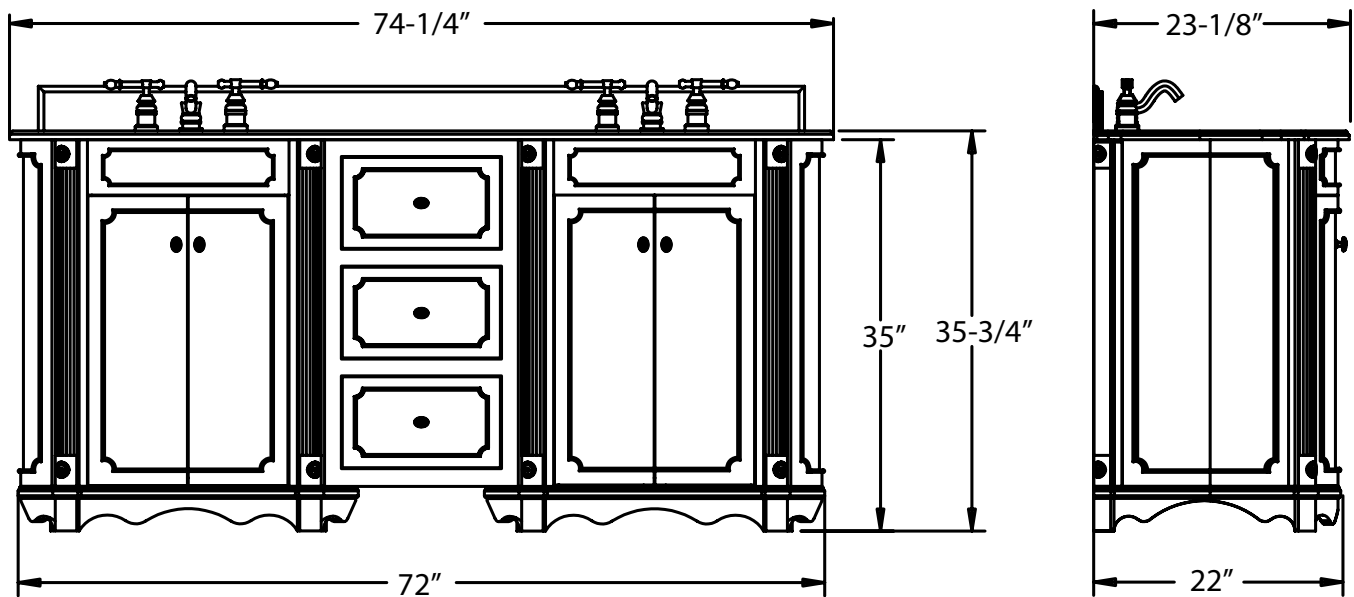
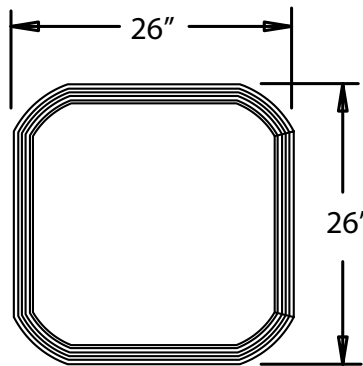
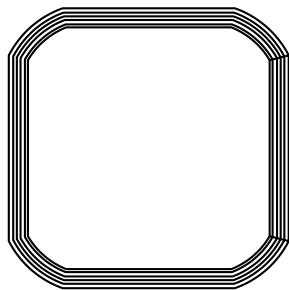
Bowl hole cut for 15" x 12" white bowls

Faucet holes cut for 4" centerset

2cm backsplash included

Mirror: 19" x 25"

Beveled glass



www.bath-elements.com

Manufactured by Hardware Resources • www.hardwareresources.com