



# Vanity Specifications

VAN037

**Vanity: 26-3/8" x 22-3/4" x 34"**

Materials: birch solids and maple veneers,  
mica glass door inserts

Soft-closing ball bearing drawer slides

**Top: 28" x 23-1/2" x 3cm**

Material: 3cm black granite

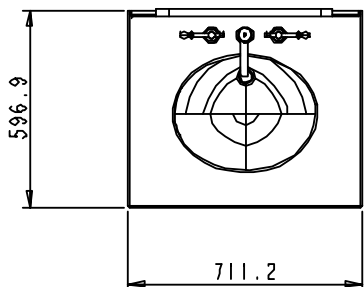
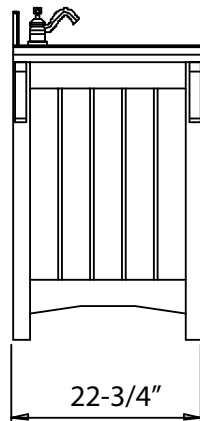
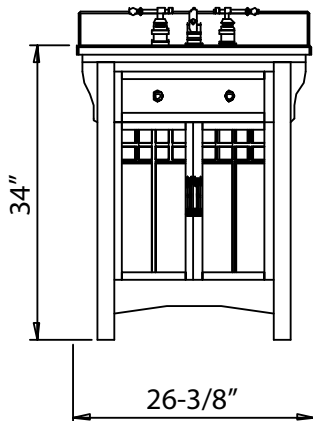
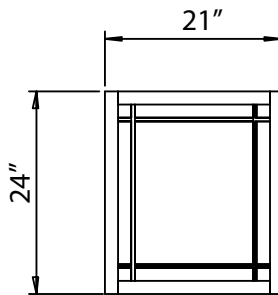
Bowl hole cut for 17" x 14" bowl

Faucet holes cut for 8" centerset

2cm backsplash included

**Mirror: 21" x 24"**

Beveled glass



[www.lyn-design.com](http://www.lyn-design.com)

Manufactured by Hardware Resources • [www.hardwareresources.com](http://www.hardwareresources.com)