



Vanity Specifications

VAN014E / VAN025E

Vanity: 30-1/2" x 20" x 35"

Materials: MDF

Top: 32" x 21" x 2cm

***Top and bowl are preinstalled**

Material: 2cm black granite

Bowl hole cut for 15" x 12" white bowl

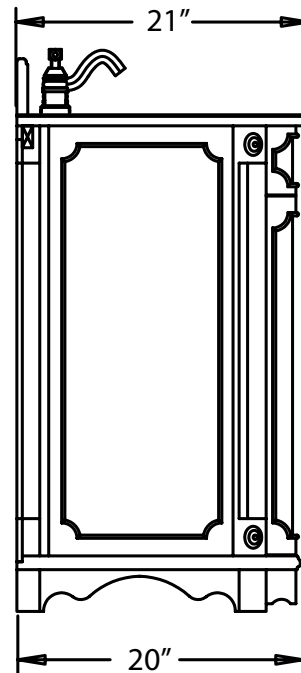
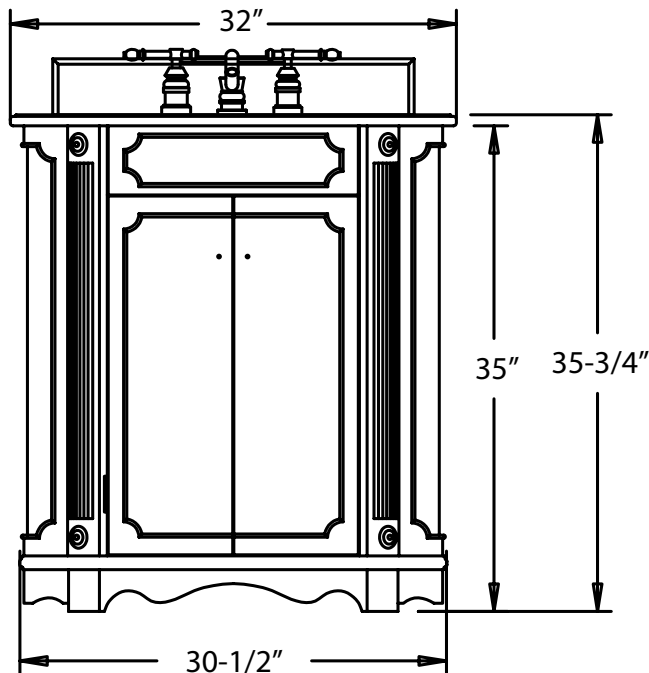
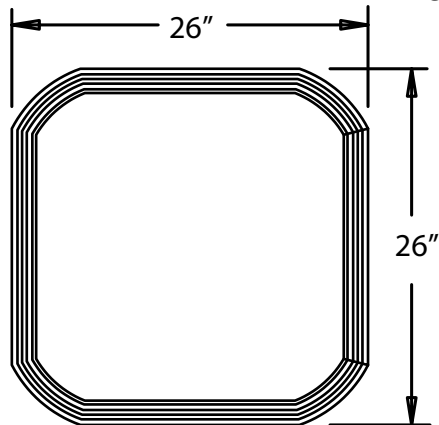
Faucet holes cut for 4" centerset

2cm backsplash included

Mirror: 26" x 26"

Beveled glass

bath ELEMENTS



www.bath-elements.com

Manufactured by Hardware Resources • www.hardwareresources.com