



Vanity Specifications

VAN009

Vanity: 34" x 21-1/2" x 32-3/4"

Materials: birch solids and birch and burl veneers

Full extension ball bearing drawer slides

Top: 32-1/2" x 21-1/2" x 3cm

Material: 3cm black granite

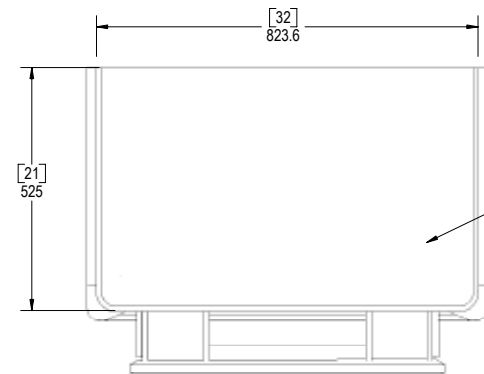
Bowl hole cut for 15" x 12" bowl

Faucet holes cut for 8" centerset

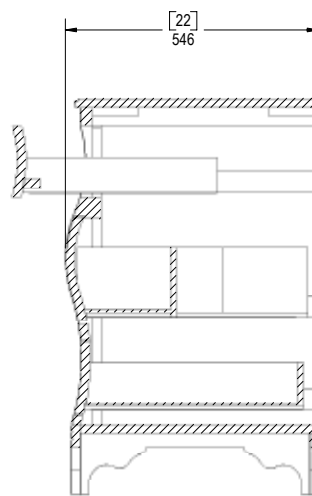
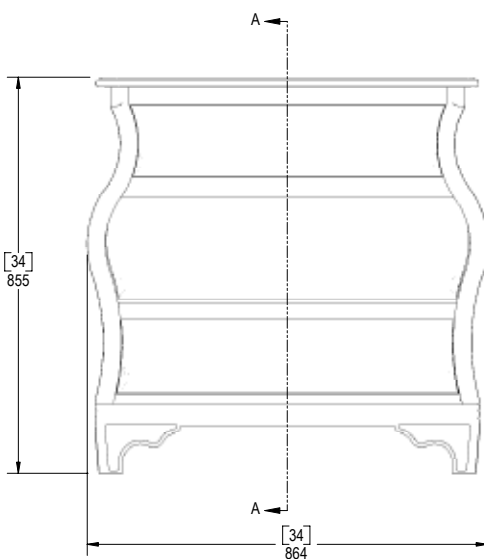
2cm backsplash included

Mirror: 26" x 32"

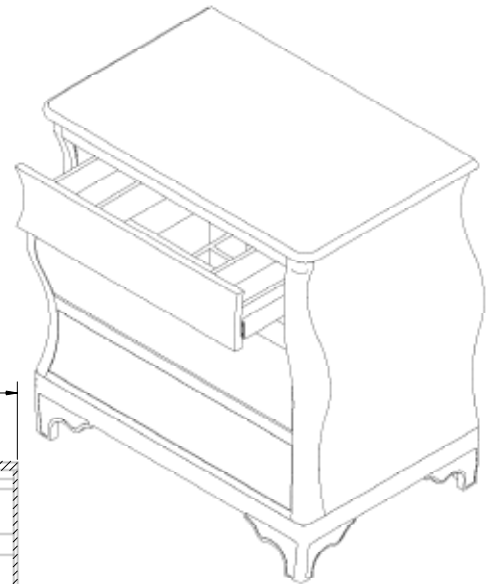
Beveled glass



VTOP009
2cm GRANITE
COUNTERTOP



SECTION A-A



www.lyn-design.com

Manufactured by Hardware Resources • www.hardwareresources.com