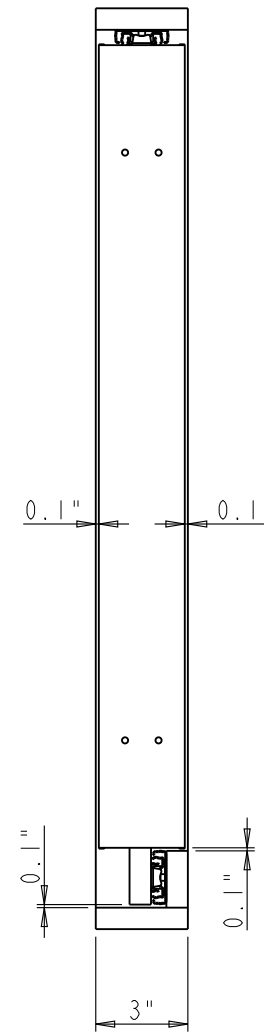
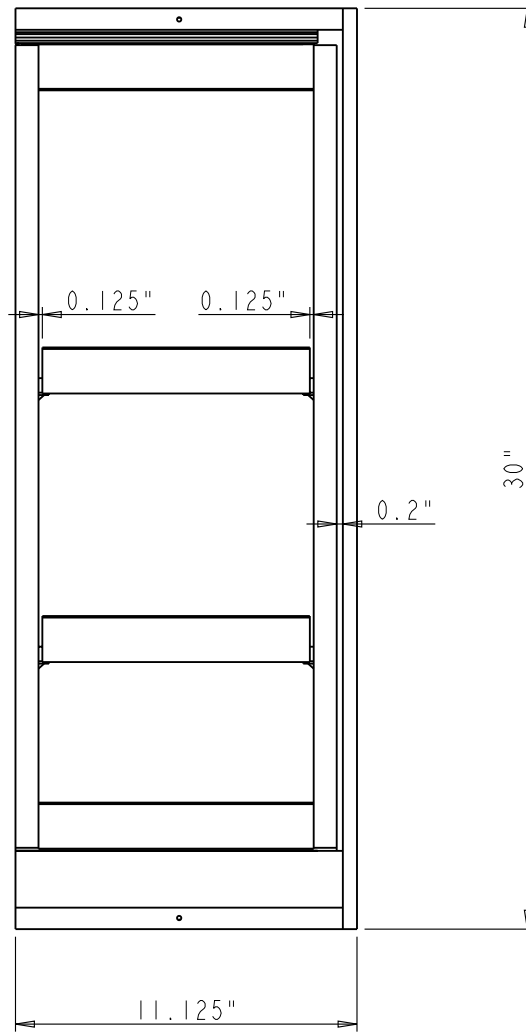


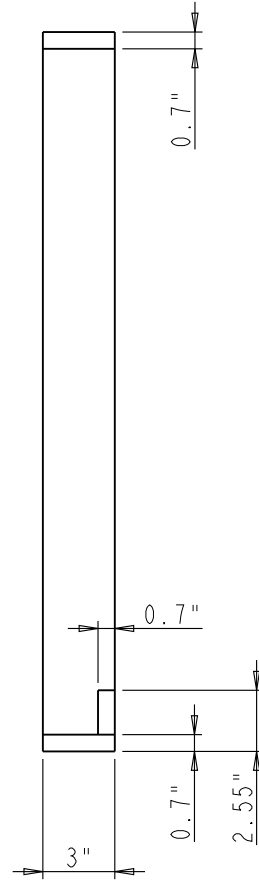
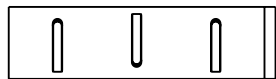
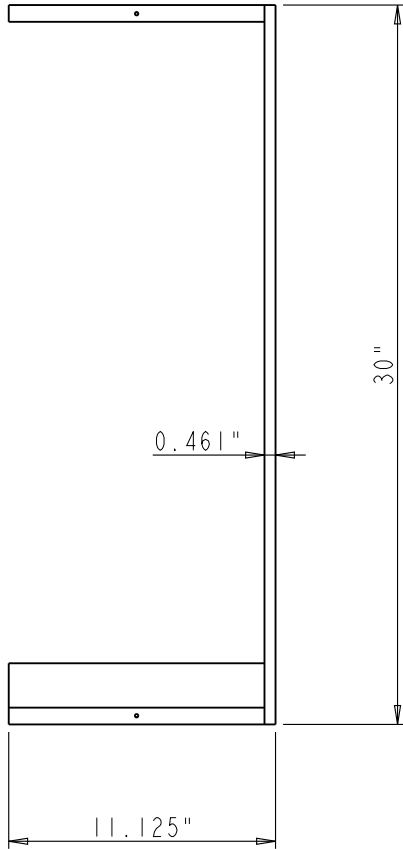
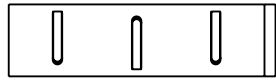
Bills of Material:

NO.	ITEM#	MATERIAL	QTY	UNIT	TOTLE WEIGHT	TYPE	ASSY LEVEL
5	SHELF-ASSY-3-REMOVABLE		2			ASSEMBLY	1
4	7704		8			PART	1
3	303FU-10		2			PART	1
2	PULL-FRAME-3X30		1			ASSEMBLY	1
1	MOUNT-FRAME-3X30		1			ASSEMBLY	1

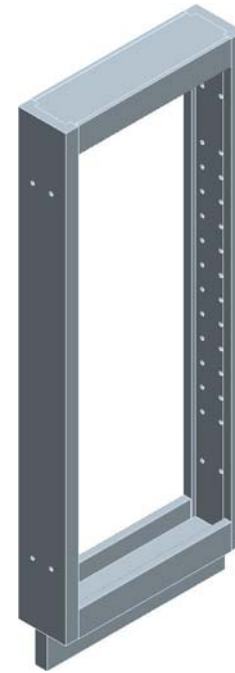
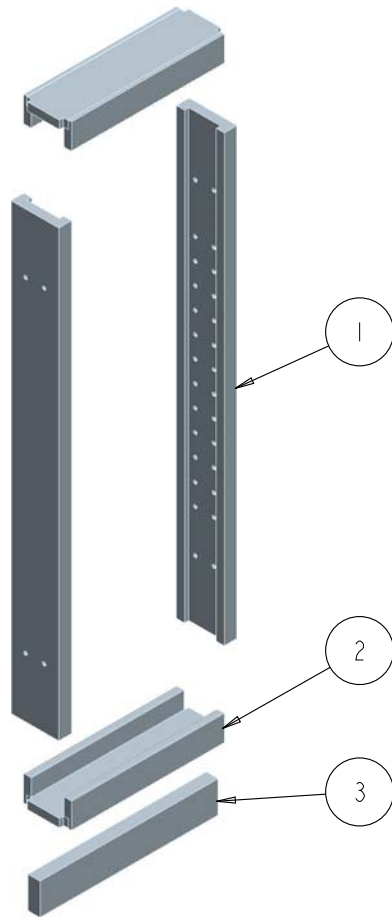
HARDWARE HR RESOURCES PROPRIETARY AND CONFIDENTIAL THE INFORMATION CONTAINED IN THIS DRAWING IS THE SOLE PROPERTY OF HARDWARE RESOURCES INC. ANY REPRODUCTION IN PART OR AS A WHOLE WITHOUT THE WRITTEN PERMISSION OF HARDWARE RESOURCES INC. IS PROHIBITED.	4319 MARLENA ST. BOSSIER CITY, LA71111	ITEM#: WFPO330	MATERIAL: WEIGHT: 9
	FINISH: PROJECTION:	TOLERANCE UNLESS OTHERWISE SPECIFIED: X : MM ±0.20 XX : MM ±0.10 XXX : MM ±0.05 ANGULAR: ±0.5° DO NOT SCALE DRAWING	UNIT: SIZE: DRAWN BY: alan.liu CHECKED BY: APPROVED BY:



HARDWARE HR RESOURCES PROPRIETARY AND CONFIDENTIAL THE INFORMATION CONTAINED IN THIS DRAWING IS THE SOLE PROPERTY OF HARDWARE RESOURCES INC. ANY REPRODUCTION IN PART OR AS A WHOLE WITHOUT THE WRITTEN PERMISSION OF HARDWARE RESOURCES INC. IS PROHIBITED.	4319 MARLENA ST. BOSSIER CITY, LA 71111	ITEM#: WF P0330	MATERIAL:
	FINISH:	WEIGHT: 9	PROJECTION:
TOLERANCE UNLESS OTHERWISE SPECIFIED: X : MM ±0.20 XX : MM ±0.10 XXX : MM ±0.05 ANGULAR : ±0.5° DO NOT SCALE DRAWING	UNIT:	DRAWN BY: <i>alan.liu</i>	DATE:
SIZE:	CHECKED BY:	DATE:	DATE:
APPROVED BY:	DATE:		

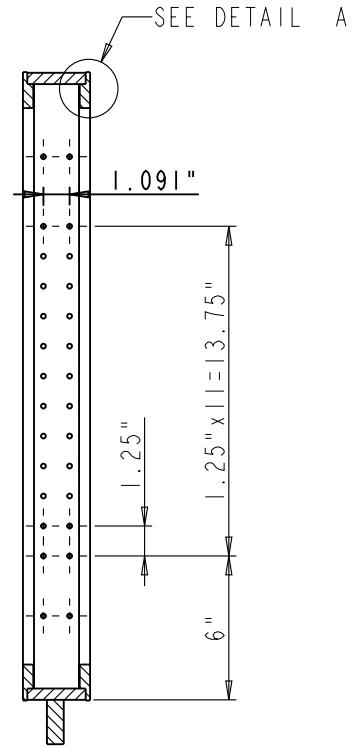
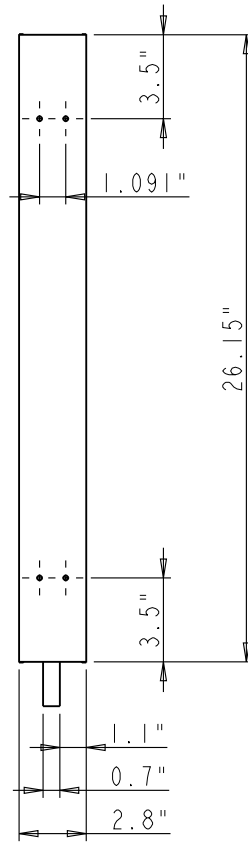
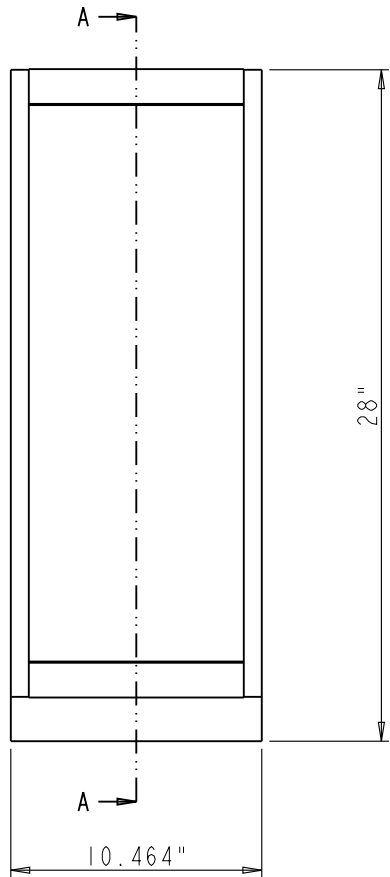


HARDWARE HR 4319 MARLENA ST. BOSSIER CITY, LA71111 RESOURCES PROPRIETARY AND CONFIDENTIAL THE INFORMATION CONTAINED IN THIS DRAWING IS THE SOLE PROPERTY OF HARDWARE RESOURCES INC. ANY REPRODUCTION IN PART OR AS A WHOLE WITHOUT THE WRITTEN PERMISSION OF HARDWARE RESOURCES INC. IS PROHIBITED	ITEM#: MOUNT-FRAME-3X30	MATERIAL: PLY Wood
	FINISH:	WEIGHT: 9
TOLERANCE UNLESS OTHERWISE SPECIFIED: X : MM ±0.20 X.X : MM ±0.10 X.XX : MM ±0.05 ANGULAR : ±0.5° DO NOT SCALE DRAWING	UNIT: SIZE:	DRAWN BY: <i>alan.liu</i>
	CHECKED BY:	DATE:
	APPROVED BY:	DATE:

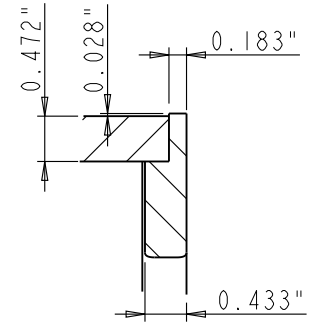


Bills of Material:

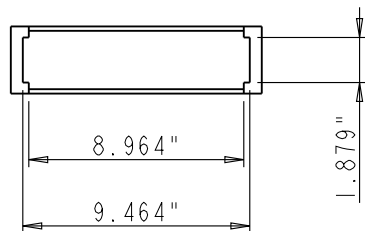
3	SLIDER-MOUNT-BOARD_MOVABLE		1			PART	1
2	FIXED-SHELF-3IN		2			ASSEMBLY	1
1	FRONT-BOARD_3X30		2			PART	1
NO.	ITEM#	MATERIAL	QTY	UNIT	TOTLE	TYPE	ASSY LEVEL
				WEIGHT			
HARDWARE HR 4319 MARLENA ST. BOSSIER CITY, LA71111 RESOURCES		ITEM# PULL-FRAME-3X30		MATERIAL: WEIGHT: 9			
PROPRIETARY AND CONFIDENTIAL THE INFORMATION CONTAINED IN THIS DRAWING IS THE SOLE PROPERTY OF HARDWARE RESOURCES INC. ANY REPRODUCTION IN PART OR AS A WHOLE WITHOUT THE WRITTEN PERMISSION OF HARDWARE RESOURCES INC. IS PROHIBITED.		FINISH:		PROJECTION:			
TOLERANCE UNLESS OTHERWISE SPECIFIED: X : MM ±0.20 X.X : MM ±0.10 X.XX : MM ±0.05 ANGULAR: ±0.5° DO NOT SCALE DRAWING		UNIT:	DRAWN BY: <i>alan.liu</i>		DATE:		
		SIZE:	CHECKED BY:		DATE:		
		APPROVED BY:		DATE:			



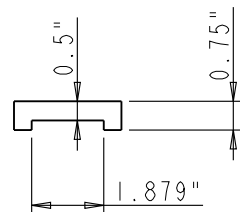
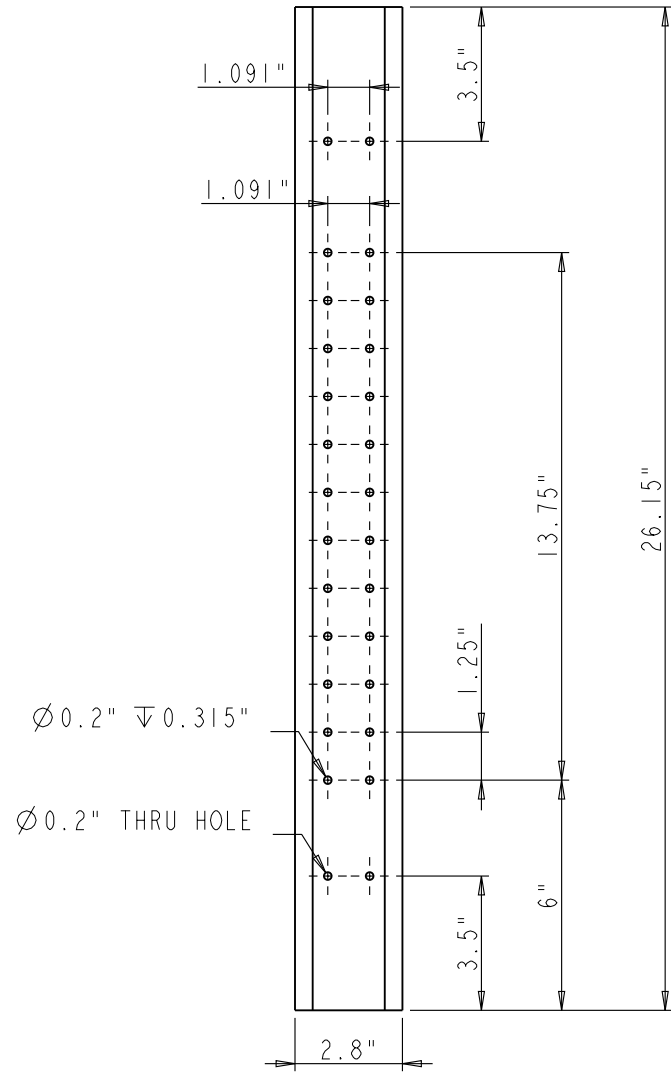
SECTION A-A



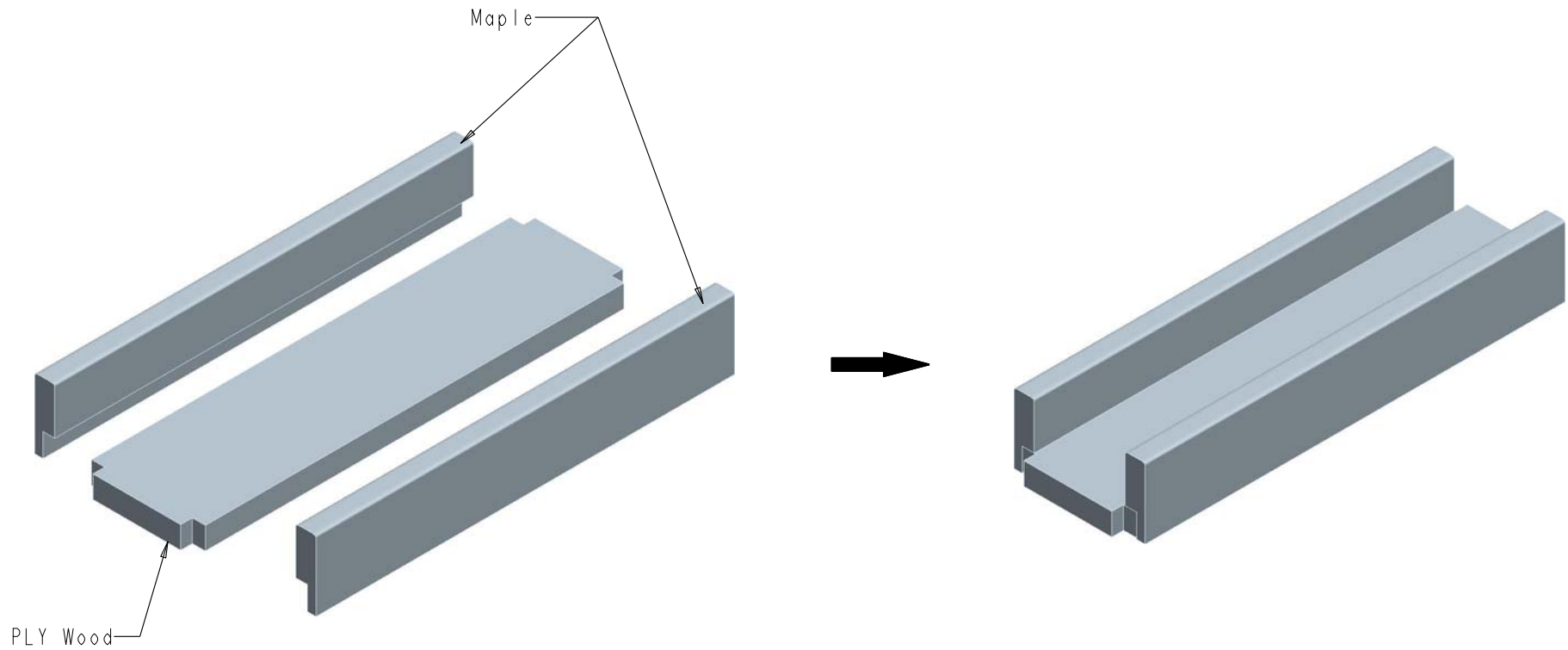
DETAIL A
SCALE 1:2



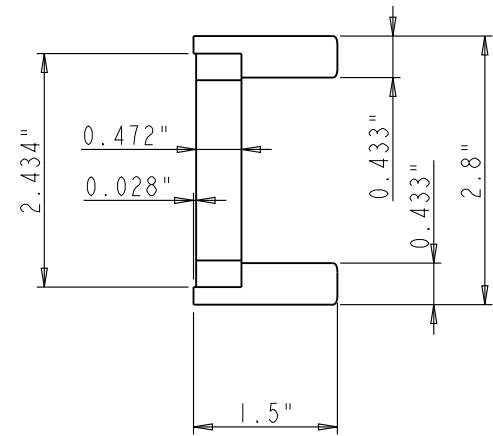
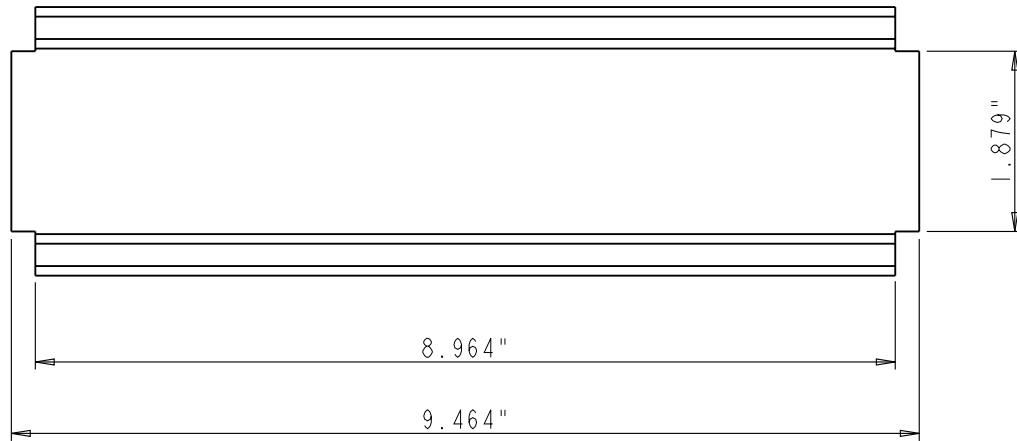
HARDWARE HR RESOURCES PROPRIETARY AND CONFIDENTIAL THE INFORMATION CONTAINED IN THIS DRAWING IS THE SOLE PROPERTY OF HARDWARE RESOURCES INC. ANY REPRODUCTION IN PART OR AS A WHOLE WITHOUT THE WRITTEN PERMISSION OF HARDWARE RESOURCES INC. IS PROHIBITED.	4319 MARLENA ST. BOSSIER CITY, LA 71111	ITEM: PULL-FRAME-3X30	MATERIAL:
	FINISH:	9	PROJECTION:
TOLERANCE UNLESS OTHERWISE SPECIFIED: X: MM ±0.20 XX: MM ±0.10 ANGULAR: ±0.5° DO NOT SCALE DRAWING	UNIT:	DRAWN BY: <i>alan.liu</i>	DATE:
SIZE:	CHECKED BY:	DATE:	DATE:
APPROVED BY:		DATE:	



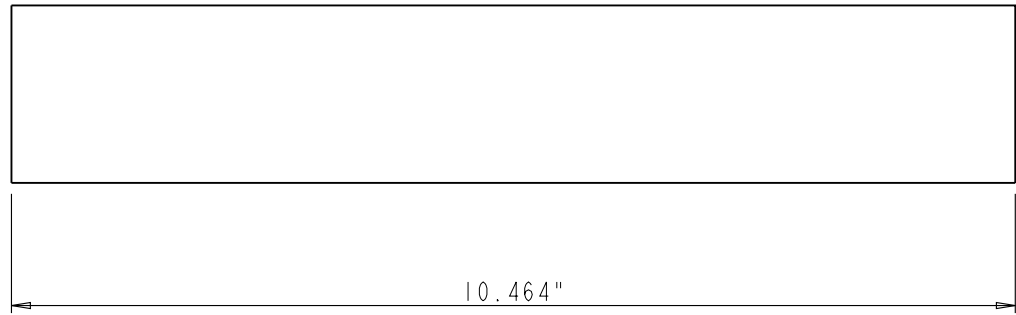
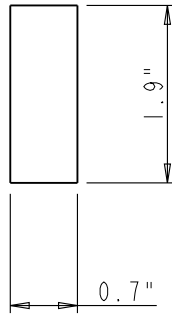
HARDWARE HR RESOURCES PROPRIETARY AND CONFIDENTIAL THE INFORMATION CONTAINED IN THIS DRAWING IS THE SOLE PROPERTY OF HARDWARE RESOURCES INC. ANY REPRODUCTION IN PART OR AS A WHOLE WITHOUT THE WRITTEN PERMISSION OF HARDWARE RESOURCES INC. IS PROHIBITED.	4319 MARLENA ST. BOSSIER CITY, LA 71111	ITEM: FRONT-BOARD_3X30	MATERIAL: Maple
	FINISH:	WEIGHT: g	PROJECTION:
TOLERANCE UNLESS OTHERWISE SPECIFIED: X : MM ± 0.20 XX : MM ± 0.10 XXX : MM ± 0.05 ANGULAR: $\pm 0.5^\circ$ DO NOT SCALE DRAWING	UNIT:	DRAWN BY: <i>alan.liu</i>	DATE:
	SIZE:	CHECKED BY:	DATE:
		APPROVED BY:	DATE:



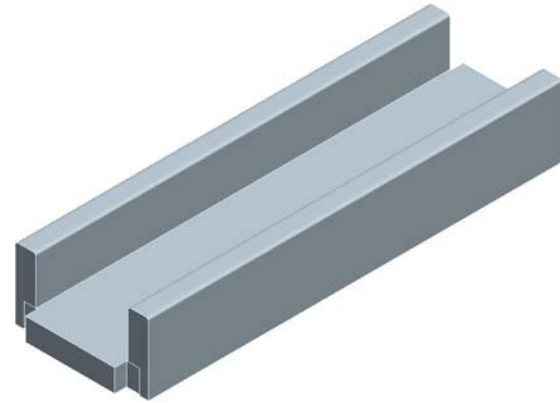
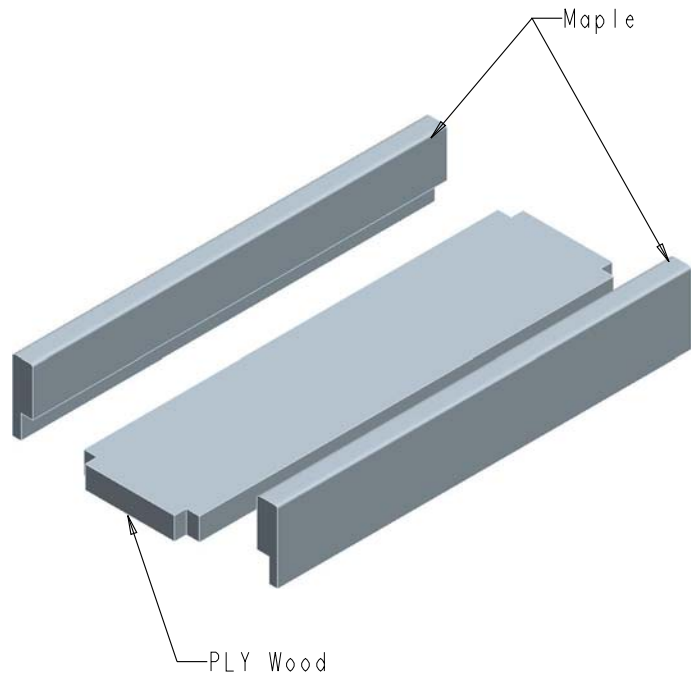
HARDWARE HR 4319 MARLENA ST. BOSSIER CITY, LA71111 RESOURCES	ITEM#: FIXED-SHELF-3IN		MATERIAL:		
	FINISH:		WEIGHT: 9		
PROPRIETARY AND CONFIDENTIAL THE INFORMATION CONTAINED IN THIS DRAWING IS THE SOLE PROPERTY OF HARDWARE RESOURCES INC. ANY REPRODUCTION IN PART OR AS A WHOLE WITHOUT THE WRITTEN PERMISSION OF HARDWARE RESOURCES INC. IS PROHIBITED	TOLERANCE UNLESS OTHERWISE SPECIFIED: X : MM ±0.20 X.X : MM ±0.10 X.XX : MM ±0.05 ANGULAR : ±0.5° DO NOT SCALE DRAWING		UNIT:	DRAWN BY: <i>alan.liu</i>	DATE:
	SIZE:	CHECKED BY:	DATE:		
	APPROVED BY:		DATE:		
	PROJECTION:				



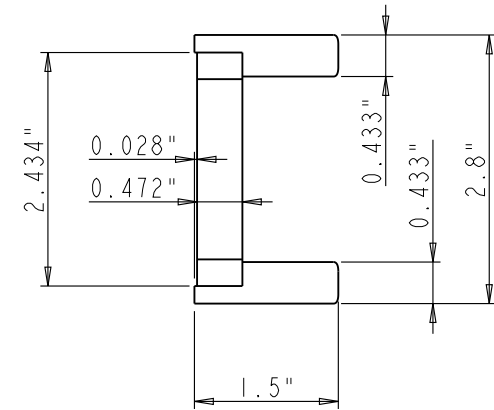
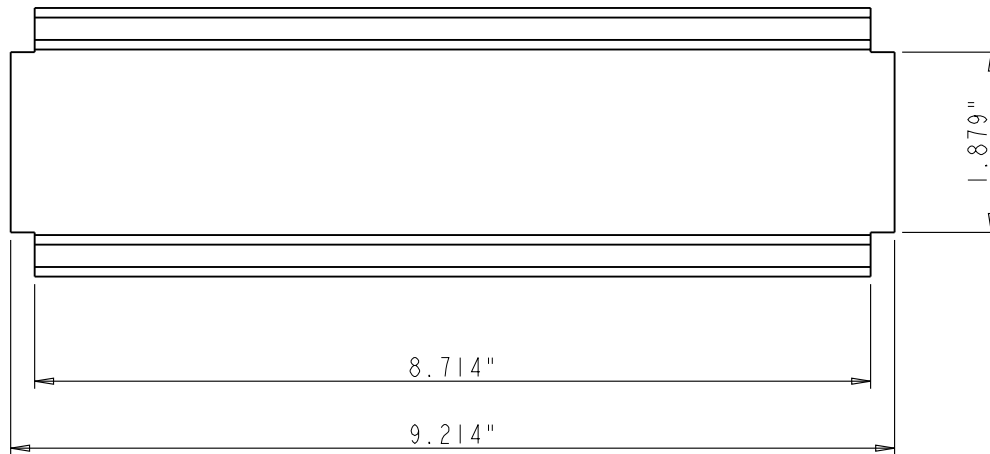
HARDWARE HR 4319 MARLENA ST. BOSSIER CITY, LA71111 RESOURCES	ITEM#: FIXED-SHELF-3IN	MATERIAL:
	FINISH:	WEIGHT: 9
PROPRIETARY AND CONFIDENTIAL THE INFORMATION CONTAINED IN THIS DRAWING IS THE SOLE PROPERTY OF HARDWARE RESOURCES INC. ANY REPRODUCTION IN PART OR AS A WHOLE WITHOUT THE WRITTEN PERMISSION OF HARDWARE RESOURCES INC. IS PROHIBITED.	TOLERANCE UNLESS OTHERWISE SPECIFIED: X : MM ±0.20 X.X : MM ±0.10 X.XX : MM ±0.05 ANGULAR: ±0.5° DO NOT SCALE DRAWING	PROJECTION:
UNIT:	DRAWN BY: <i>alan.liu</i>	DATE:
SIZE:	CHECKED BY:	DATE:
	APPROVED BY:	DATE:



HARDWARE HR 4319 MARLENA ST. BOSSIER CITY, LA 71111 RESOURCES	ITEM: SLIDER-MOUNT-BOARD_MOVABLE		MATERIAL: PLY Wood		
	FINISH:		WEIGHT: g		
PROPRIETARY AND CONFIDENTIAL THE INFORMATION CONTAINED IN THIS DRAWING IS THE SOLE PROPERTY OF HARDWARE RESOURCES INC. ANY REPRODUCTION IN PART OR AS A WHOLE WITHOUT THE WRITTEN PERMISSION OF HARDWARE RESOURCES INC. IS PROHIBITED	TOLERANCE UNLESS OTHERWISE SPECIFIED: X : MM ±0.20 X.X : MM ±0.10 X.XX : MM ±0.05 ANGULAR : ±0.5° DO NOT SCALE DRAWING		UNIT:	DRAWN BY: <i>alan.liu</i>	DATE:
	SIZE:		CHECKED BY:	DATE:	
	PAGE 00		APPROVED BY:		DATE:
	PROJECTION:				



HARDWARE HR 4319 MARLENA ST. BOSSIER CITY, LA 71111 RESOURCES	ITEM#: REMOVABLE-SHELF-3IN		MATERIAL:	
	FINISH:		WEIGHT: 9	
PROPRIETARY AND CONFIDENTIAL THE INFORMATION CONTAINED IN THIS DRAWING IS THE SOLE PROPERTY OF HARDWARE RESOURCES INC. ANY REPRODUCTION IN PART OR AS A WHOLE WITHOUT THE WRITTEN PERMISSION OF HARDWARE RESOURCES INC. IS PROHIBITED.		TOLERANCE UNLESS OTHERWISE SPECIFIED: X : MM ±0.20 X.X : MM ±0.10 X.XX : MM ±0.05 ANGULAR : ±0.5° DO NOT SCALE DRAWING		PROJECTION:
UNIT:		DRAWN BY: <i>alan.liu</i>		DATE:
SIZE:		CHECKED BY:		DATE:
PAGE 00		APPROVED BY:		DATE:



HARDWARE HR 4319 MARLENA ST. BOSSIER CITY, LA 71111 RESOURCES	ITEM: REMOVABLE-SHELF-31N		MATERIAL:		
	FINISH:		WEIGHT: 9		
PROPRIETARY AND CONFIDENTIAL THE INFORMATION CONTAINED IN THIS DRAWING IS THE SOLE PROPERTY OF HARDWARE RESOURCES INC. ANY REPRODUCTION IN PART OR AS A WHOLE WITHOUT THE WRITTEN PERMISSION OF HARDWARE RESOURCES INC. IS PROHIBITED.	TOLERANCE UNLESS OTHERWISE SPECIFIED: X : MM ±0.20 X.X : MM ±0.10 X.XX : MM ±0.05 ANGULAR : ±0.5° DO NOT SCALE DRAWING		UNIT:	DRAWN BY: <i>alan.liu</i>	DATE:
	SIZE:	CHECKED BY:	APPROVED BY:	DATE:	DATE:
	PROJECTION:				DATE:
	PROJECTION:				DATE: