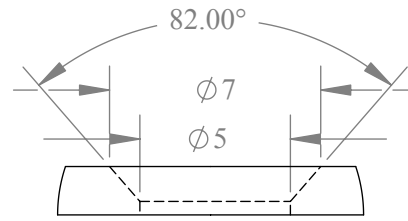
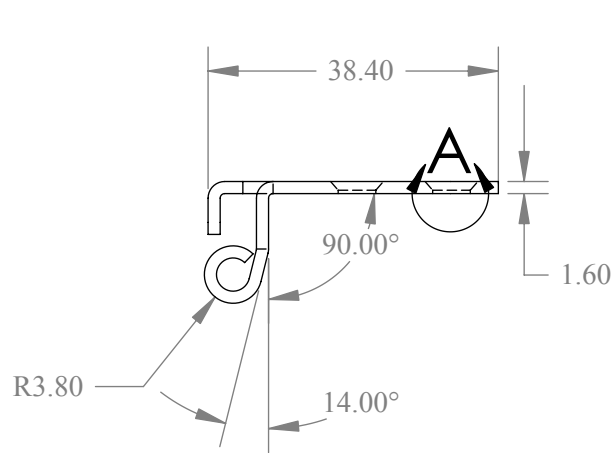


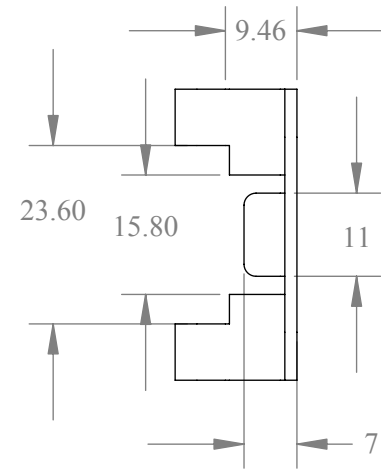
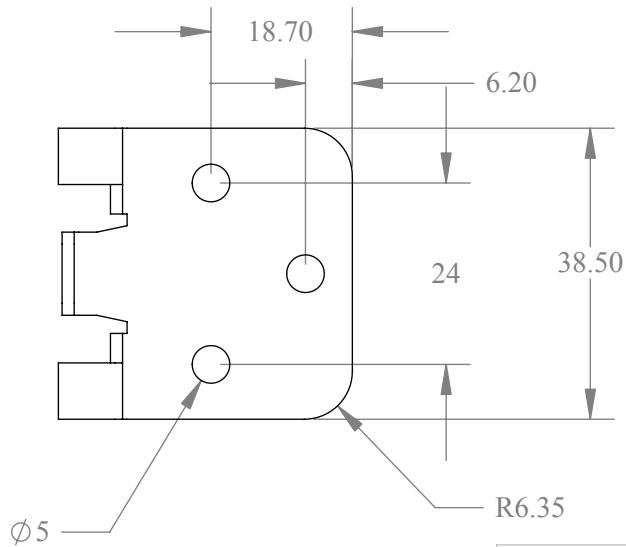
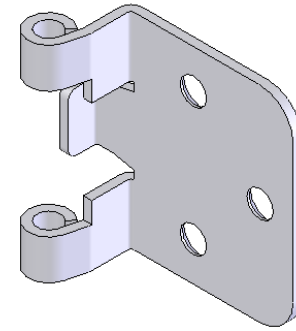
Drawn by: Udhay.N	Scale: 1:1	Date: 05/20/05	HARDWARE RESOURCES	
TOLERANCES UNLESS OTHERWISE SPECIFIED TOLERANCES ARE IN METRIC OVER ALL LENGTH $\pm 0.1\text{MM}$ ANGLES $\pm 0^{\circ} 30'$			4319 MARLENA ST, BOSSIER CITY, LA71111	
			PART NAME:	HR
			MATERIAL:	HR
			ITEM NO:	H5011
			PLATING:	HR

* - Critical Dimensions

Sheet 1/4



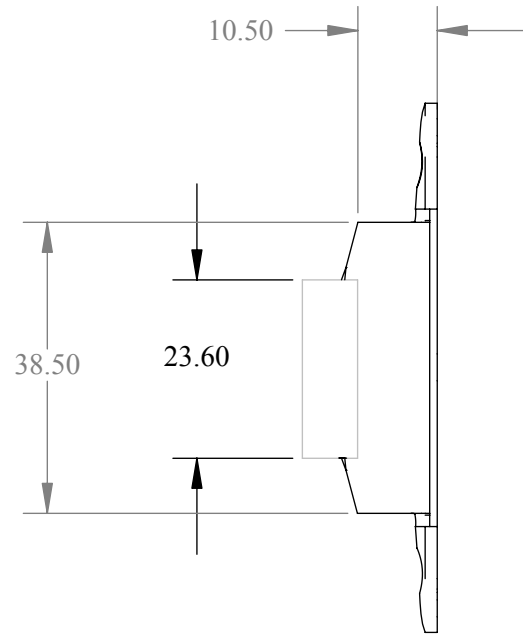
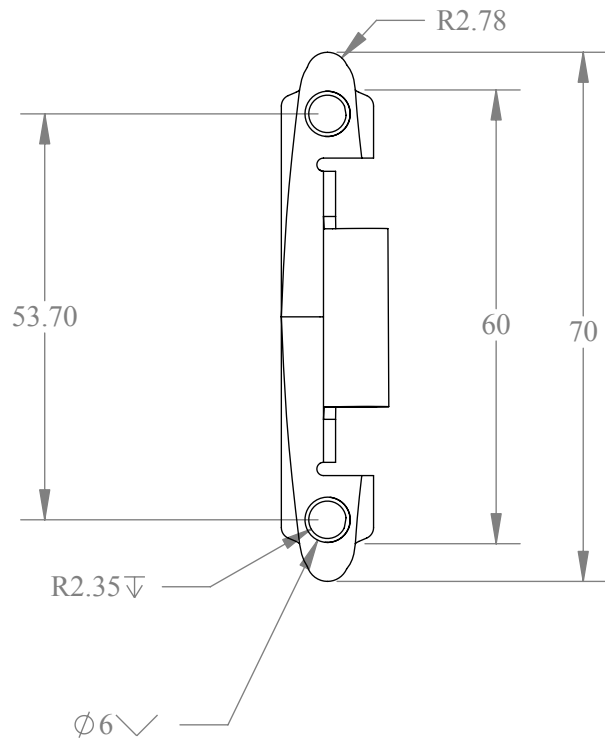
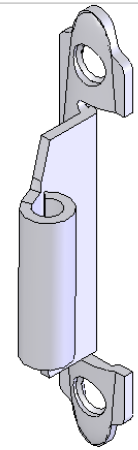
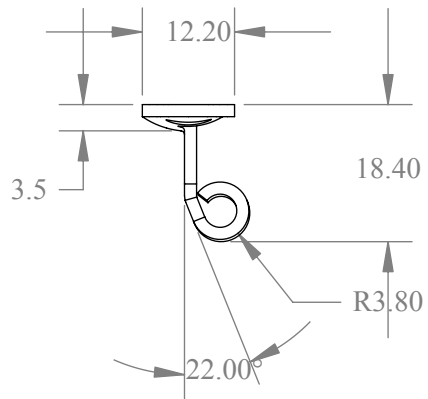
DETAIL A
SCALE 4 : 1



Drawn by: Udhay.N	Scale: 1:1	Date:	HARDWARE RESOURCES	
TOLERANCES UNLESS OTHERWISE SPECIFIED TOLERANCES ARE IN METRIC OVER ALL LENGTH ±0.1MM ANGLES ±0° 30'			4319 MARLENA ST, BOSSIER CITY, LA71111	
			PART NAME:	HR
			MATERIAL:	HR
			ITEM NO:	H5011
			PLATING:	HR

* - Critical Dimensions

Sheet 2/4



Drawn by: Udhay.N	Scale: 1:1	Date:	HARDWARE RESOURCES	
<p style="text-align: center;">TOLERANCES</p> <p style="text-align: center;">UNLESS OTHERWISE SPECIFIED TOLERANCES ARE IN METRIC</p> <p style="text-align: center;">OVER ALL LENGTH ±0.1MM ANGLES ±0° 30'</p>			4319 MARLENA ST, BOSSIER CITY, LA71111	
			PART NAME:	HR
			MATERIAL:	HR
			ITEM NO:	H5011
			PLATING:	HR

* - Critical Dimensions

Sheet 3/4

