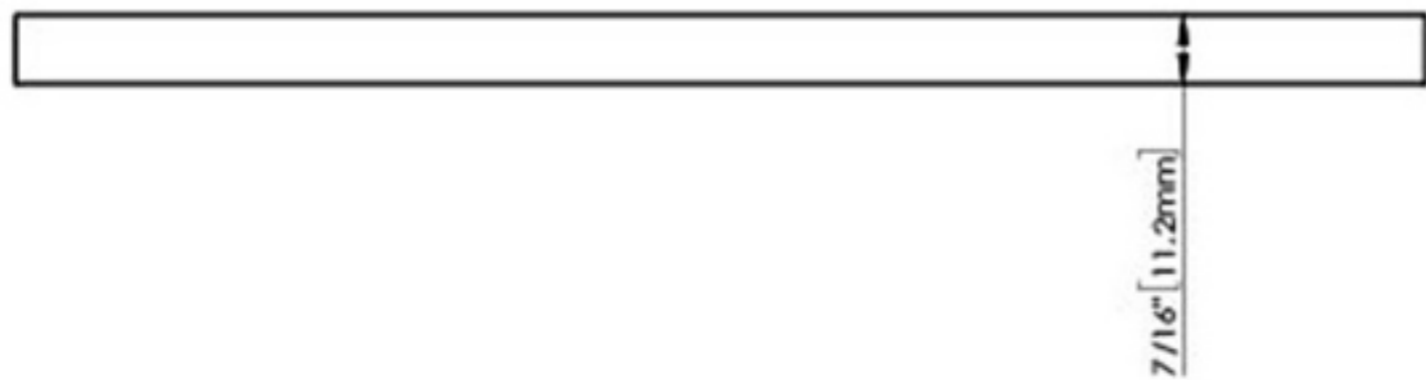
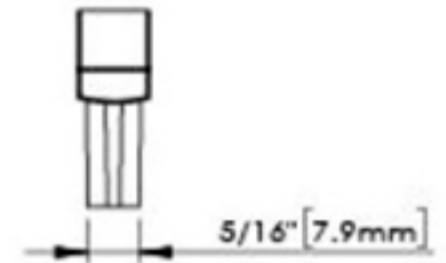
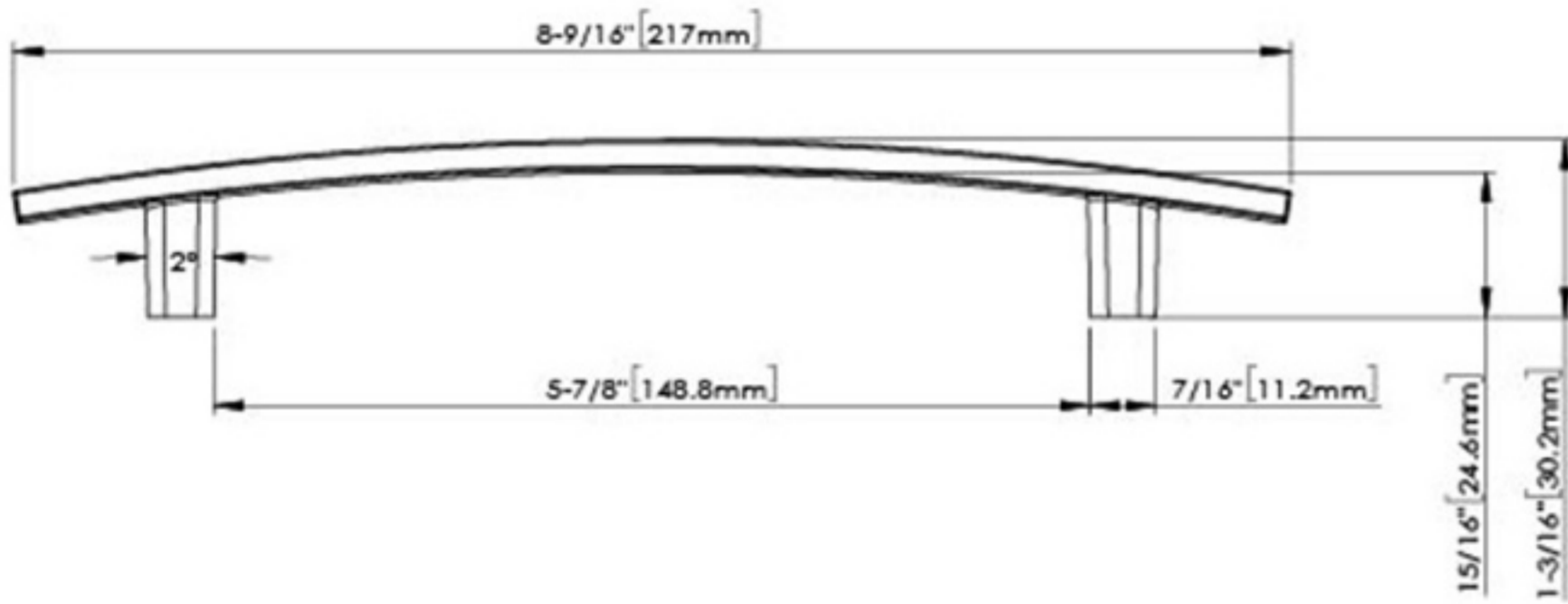
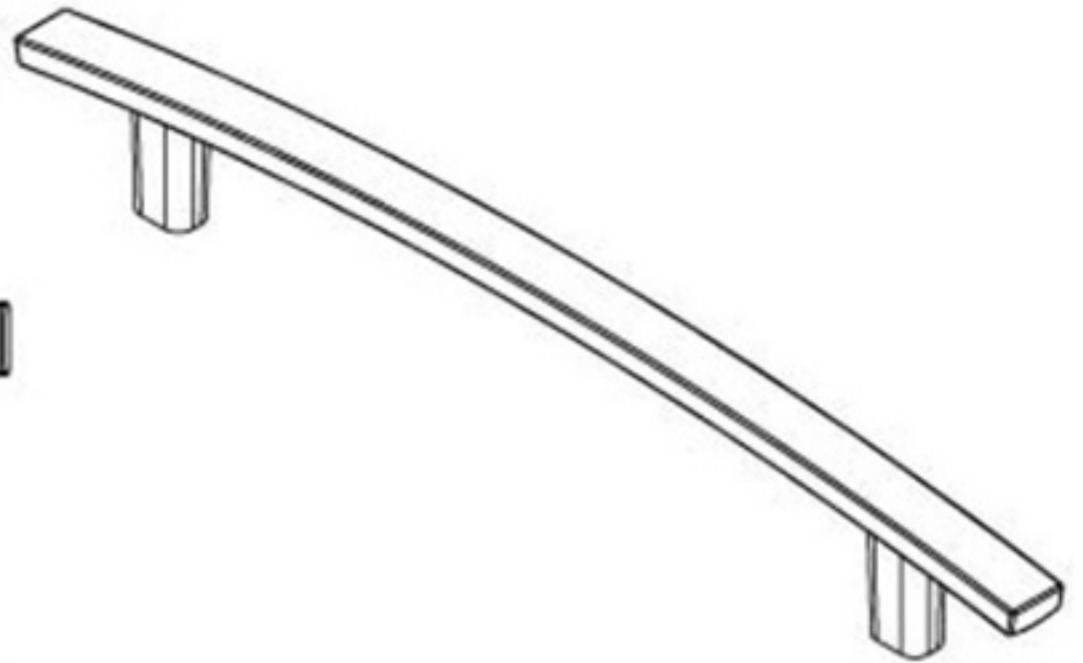
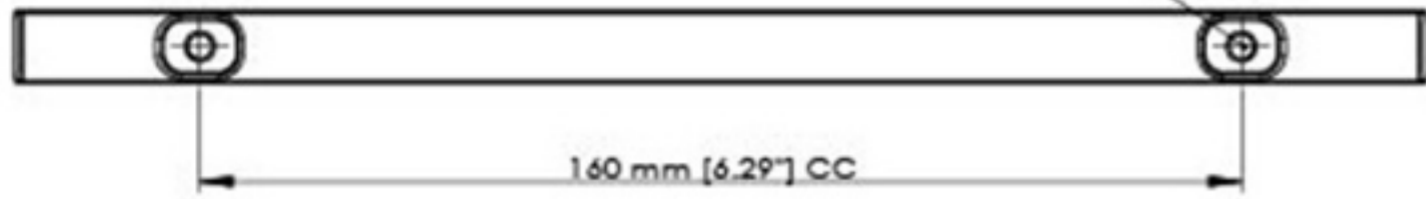


8-32 UNC  $\sqrt{1/2}$ " [12.7 mm]



ACCESSORY:  
SCREW: 8-32X1-1/8" 2 PCS  
BREAK AWAY SCREW: 8-32X45mm 2 PCS